



Fans - Frameless Fans - FL-*FRL

Product Information

Impeller: Black PBT UL94-0 glass filled
Terminals : Model FL-120 Wire UL 1430, 22AWG
Model FL-172 Wire UL 1015, 22AWG

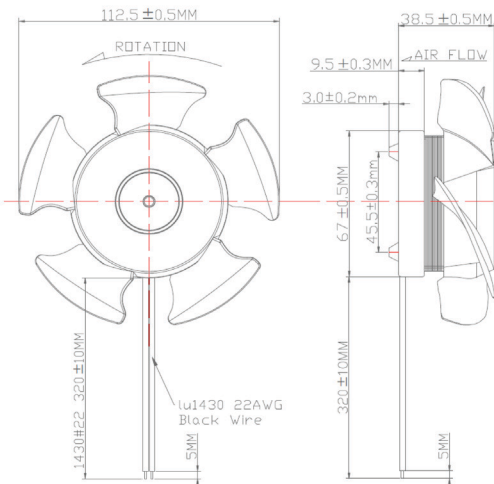
Bearing: Ball Bearing
Insulation resistance: 100 MΩ minimum at 500VDC
Dielectric Strength: 1800VAC for 1 sec
Motor Protection: Model FL-120 Impedance protected
Model FL-172 Thermal protected

Motor insulation class: B
Operating Temperature: -10°C to +70°C
Life Expectancy: 50.000 hours at 25°C
Other model on request

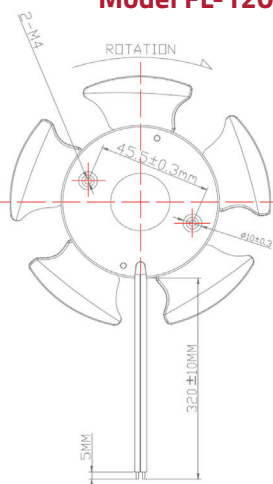
Certification



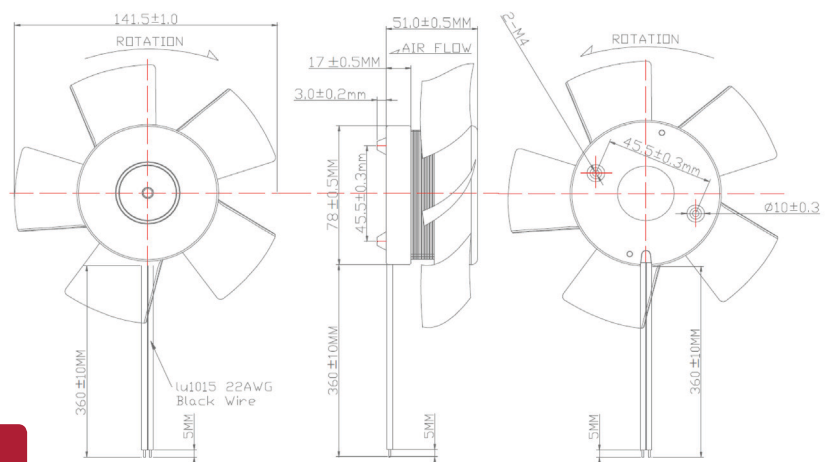
Drawing



Model FL-120*FRL



Model FL-172*FRL



Drawing

Code	Rated Voltage (V)	Frequency (Hz)	Current (A)	Input Power (W)	Speed (rpm)	Air Flow (CFM)	Static pressure (H2O)	Noise (dB/A)	Weight (g)
FL-12038HA2WB-FRL	230	50/60	0.12/0.10	18/15	2600/3000	86/95	6.7/9.0	40/45	400
FL-17251HA2WB-FRL	230	50/60	0.22/0.20	32/30	2600/2200	176.1/154.5	11.6/9.2	52/45	660

Le specifiche potrebbero essere soggette a modifiche senza preavviso