

LIGHTING SOLUTION

LED LINEAR LUMINAIRE



Gruppo Comestero Sistemi




COMESTERO PRODUCTION

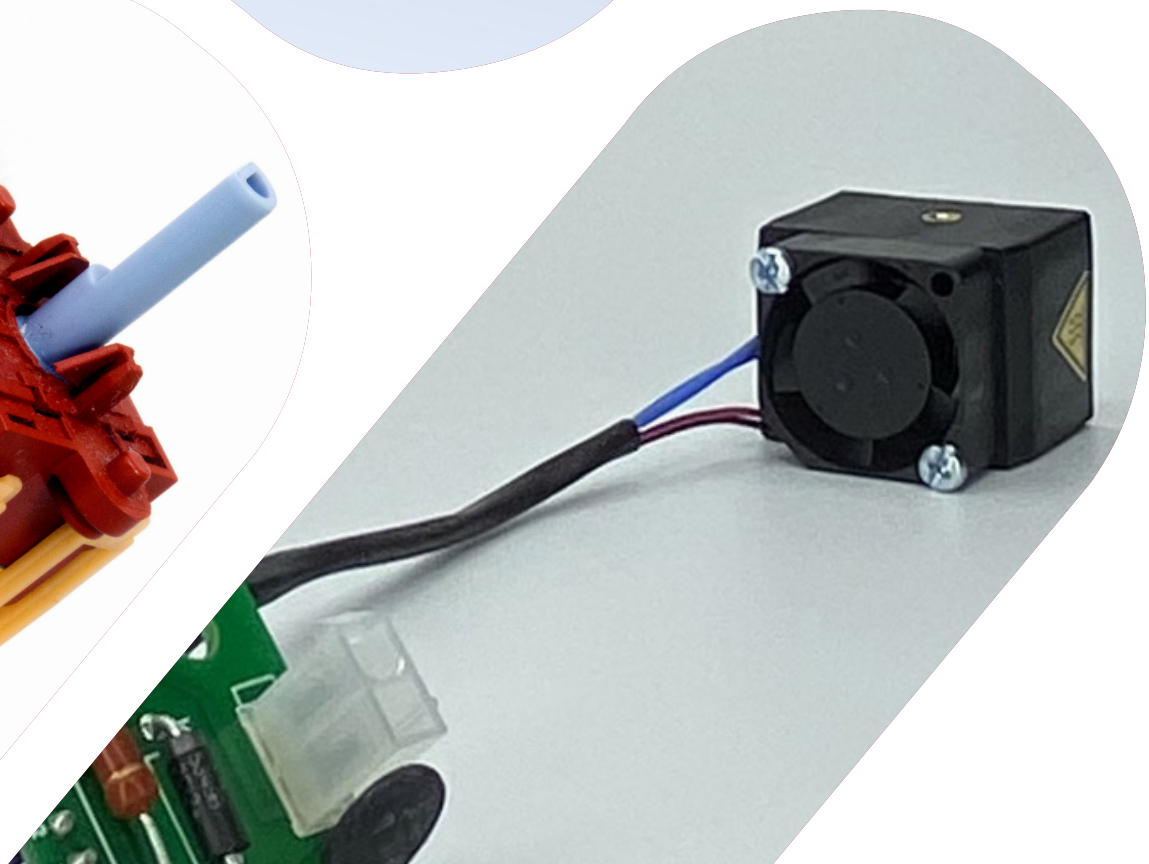
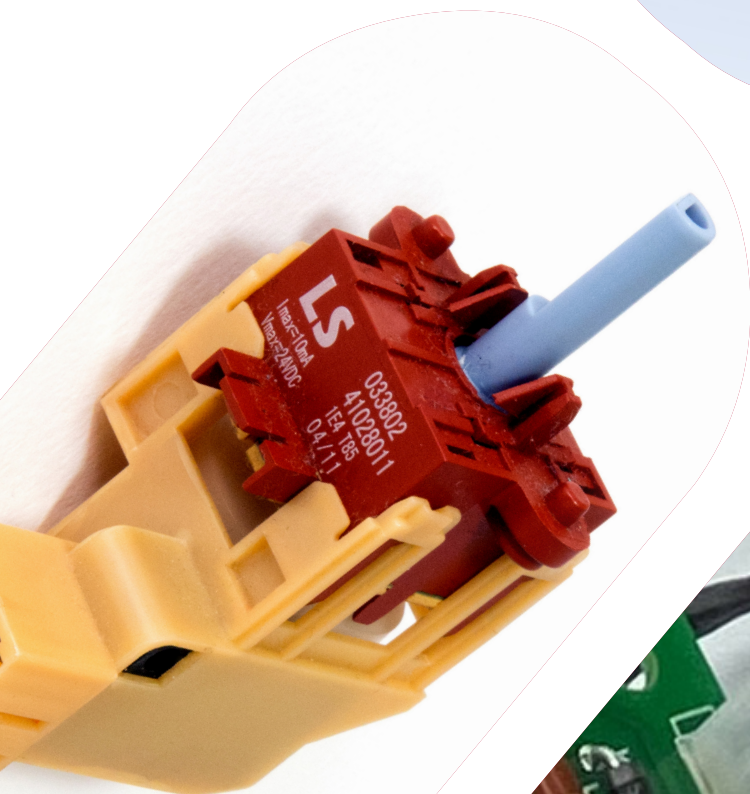
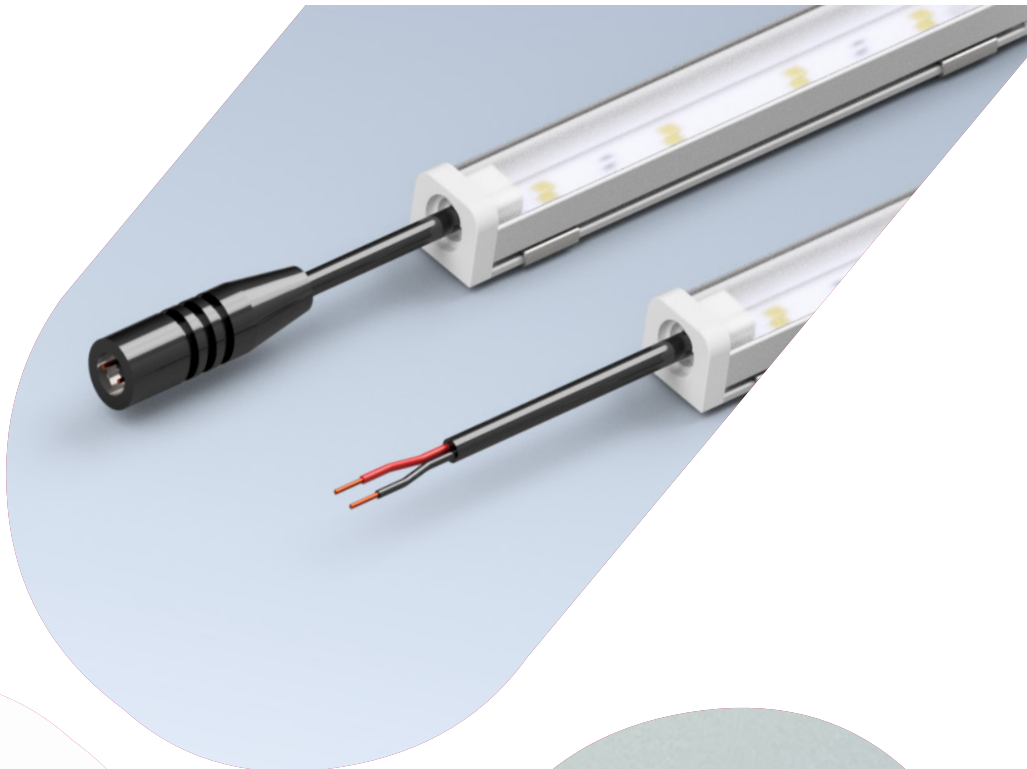
ABOUT US

Gruppo Comestero Sistemi is an international company that, since almost 50 years, is involved in co-engineering, production and sales of the best electromechanical components. Our aim is to develop innovative technical solutions.

Thanks to our know-how CS is able to be a partner for all companies that are looking for high added valued solutions to succeed and strengthen their presence in their own market.

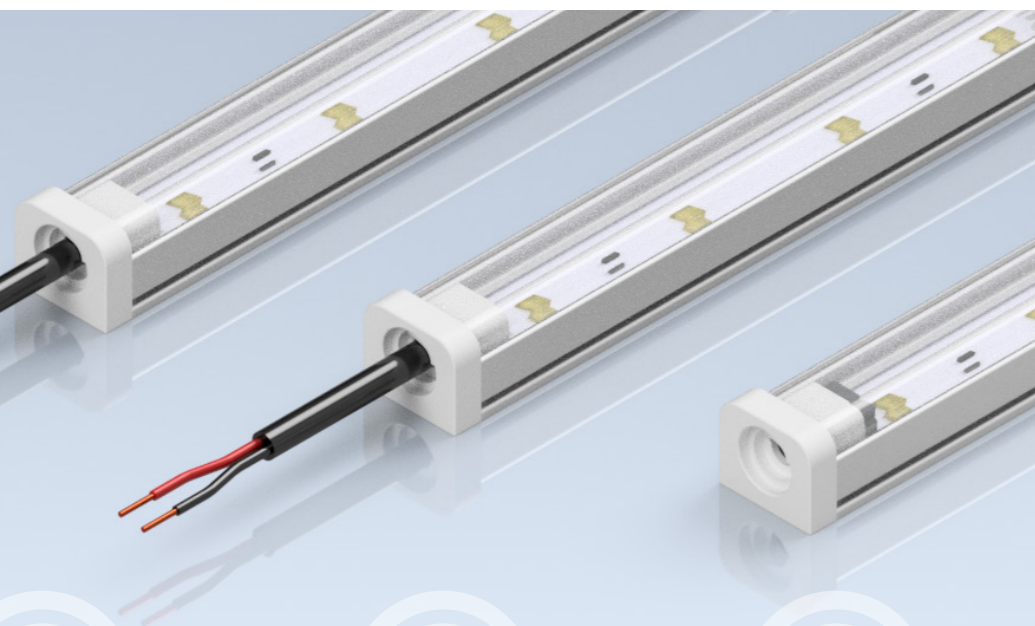
 **CS Production** is a branch of Gruppo Comestero Sistemi dedicated to the design and production of new components. Here below you can find some solutions:

- Led Linear Luminaire
- Anti-condensation heaters
- Combined connectors
- IDF 320 Fixing system
- LS Rotary switch
- FANLAB Axial Fans
- Piezo Actuators
- Piezoelectric Grippers



Serie A

LIGHTING SOLUTION



24V DC

120°

IP65

22.5W/m

Product Features

- CRI 80Ra
- Highest quality components 2835 Leds
- 120° beam angle
- CCT available 3000 ÷ 6500, PINK, RGB,
- 24V DC input voltage
- Up to 1200 lm/m
- Working Temperature: -20°C to 45°C
- Max Power consumption 22.5W/m
- IP Rating: IP65
- Lifetime 50.000h
- Energy labelling available (EPREL)

Customization

- Custom CCT to obtain your cromatic coordinates
- Custom length on request
- CRI 90Ra on request
- Input voltage on request

Material:

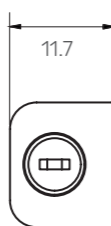
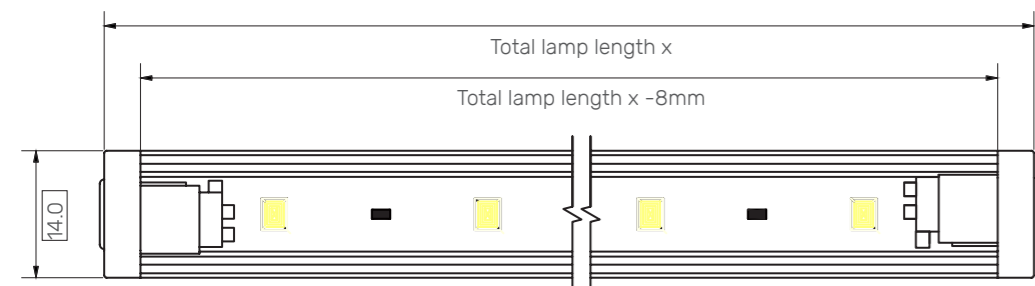
Cover in polycarbonate clear or opal
Grey side closure cap in PA 6
Profile in aluminium

Standard:

EN IEC 62031, EN 62471, IEC/TR 61547-1, EN/IEC 55015, EN/IEC 60598-1, EN/IEC 60335-2-24, EN/IEC 60335-2-89



Dimensions



Dimension in mm

1. Specifications might change without notice

2. Special design on request

Specifications

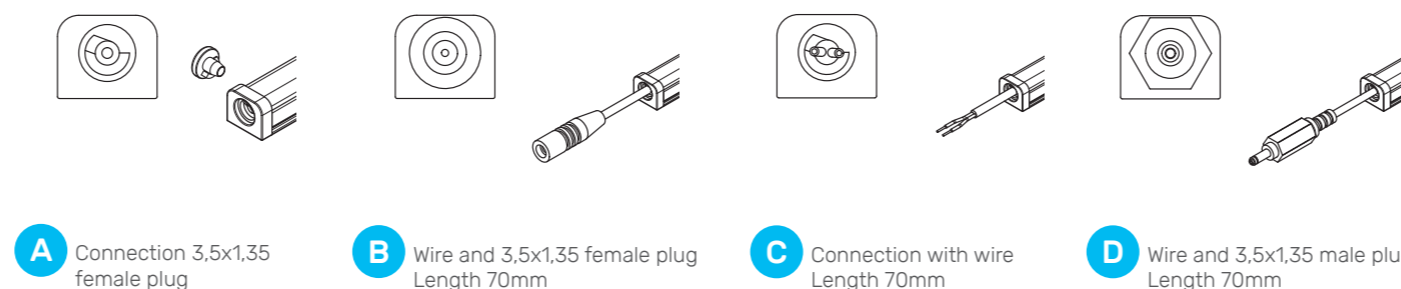
COMBINATION CODE		(1)	(2)	(3)	VALUE						
Model	Length	Led Type	Voltage (V)	CCT* (K)	Connection*		Covering Finishing*	Lumen (lm)	Power (W)	n°LED	Length "x" (mm)
					R	L					
ELED-CSA	060	2835	24	3000 ÷ 6500 PINK RGB	A	A	0	432	4,5	36	608
					B	B	1	378			
ELED-CSA	090	2835	24	3000 ÷ 6500 PINK RGB	A	A	0	648	6,75	54	908
					B	B	1	567			
ELED-CSA	120	2835	24	3000 ÷ 6500 PINK RGB	A	A	0	864	9	72	1208
					B	B	1	756			
ELED-CSA	150	2835	24	3000 ÷ 6500 PINK RGB	A	A	0	1080	11,5	90	1508
					B	B	1	945			
High Performance Model											
ELED-CHA	060	2835	24	3000 ÷ 6500 PINK RGB	A	A	0	720	9	72	608
					B	B	1	630			
ELED-CHA	090	2835	24	3000 ÷ 6500 PINK RGB	A	A	0	1080	13,5	108	908
					B	B	1	945			
ELED-CHA	120	2835	24	3000 ÷ 6500 PINK RGB	A	A	0	1440	18	144	1208
					B	B	1	1250			
ELED-CHA	150	2835	24	3000 ÷ 6500 PINK RGB	A	A	0	1800	22,5	180	1508
					B	B	1	1575			

* choose an option from below

Color Temperature Options (1)



Connection Options (2)



A Connection 3,5x1,35 female plug Length 70mm

B Wire and 3,5x1,35 female plug Length 70mm

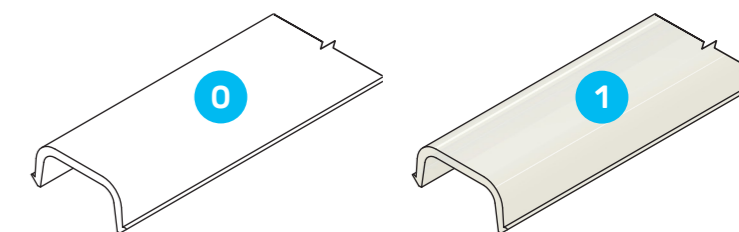
C Connection with wire Length 70mm

D Wire and 3,5x1,35 male plug Length 70mm

Cover Finishing (3)

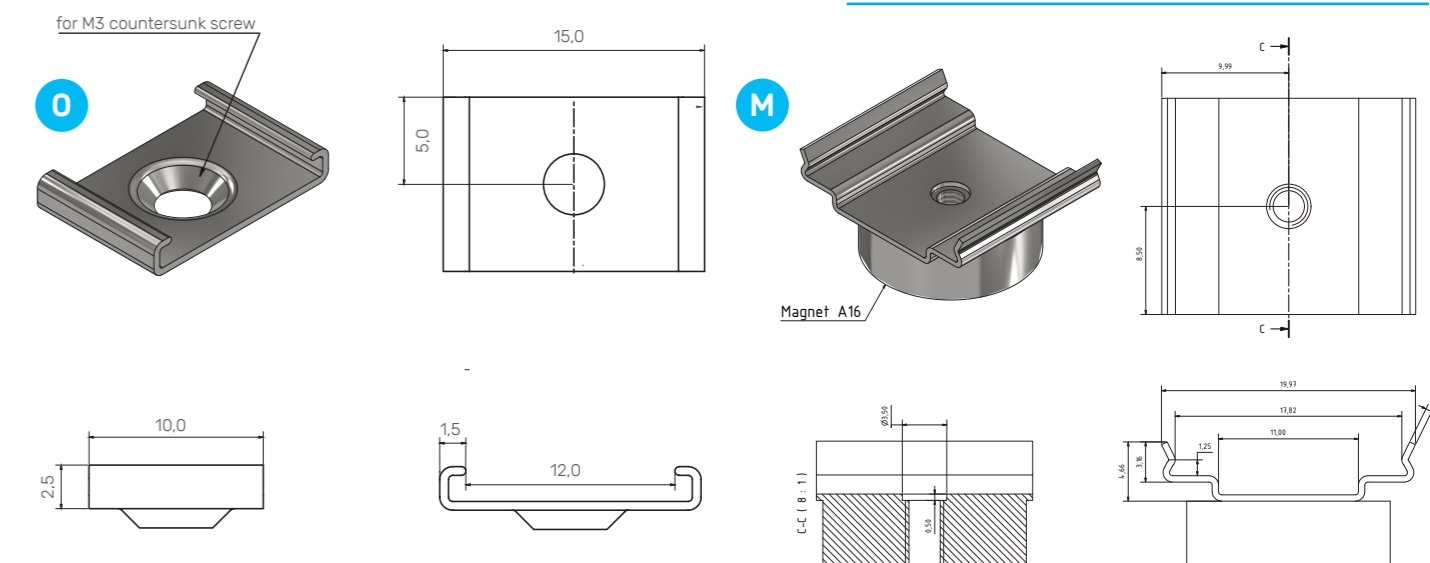
0 Clear PC Cover

1 Opal PC Cover



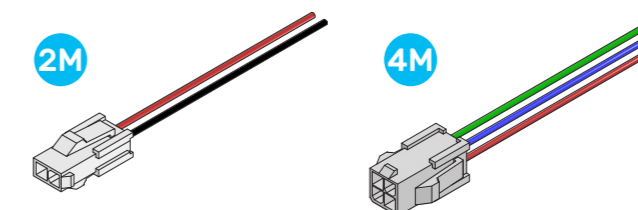
Accessories

Mounting Clip



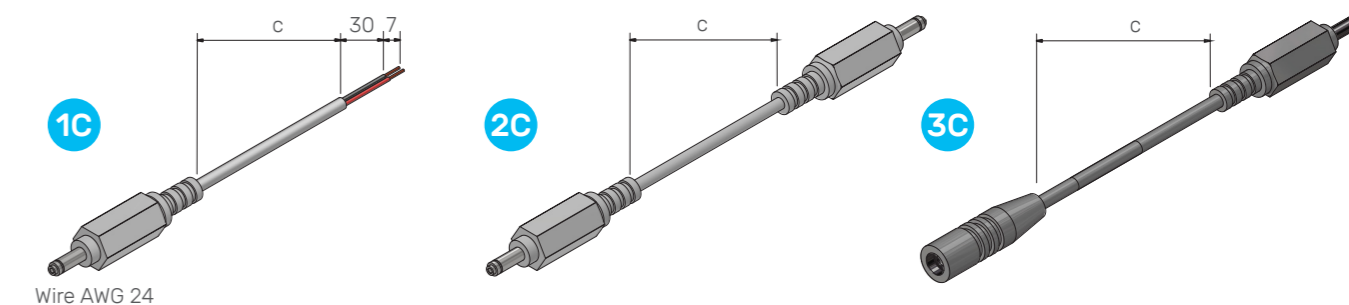
Model	Type
ELED-CSA-CLIP-0	0
ELED-CSA-CLIP-M	M

Wire Options



Model	Type	Length "c" (mm)
ELED-CAB-xxx-2M	2M	on request
ELED-CAB-xxx-4M	4M	on request
ELED-CAB-150-1C	1C	1500
ELED-CAB-050-2C	2C	500
ELED-CAB-050-3C	3C	500

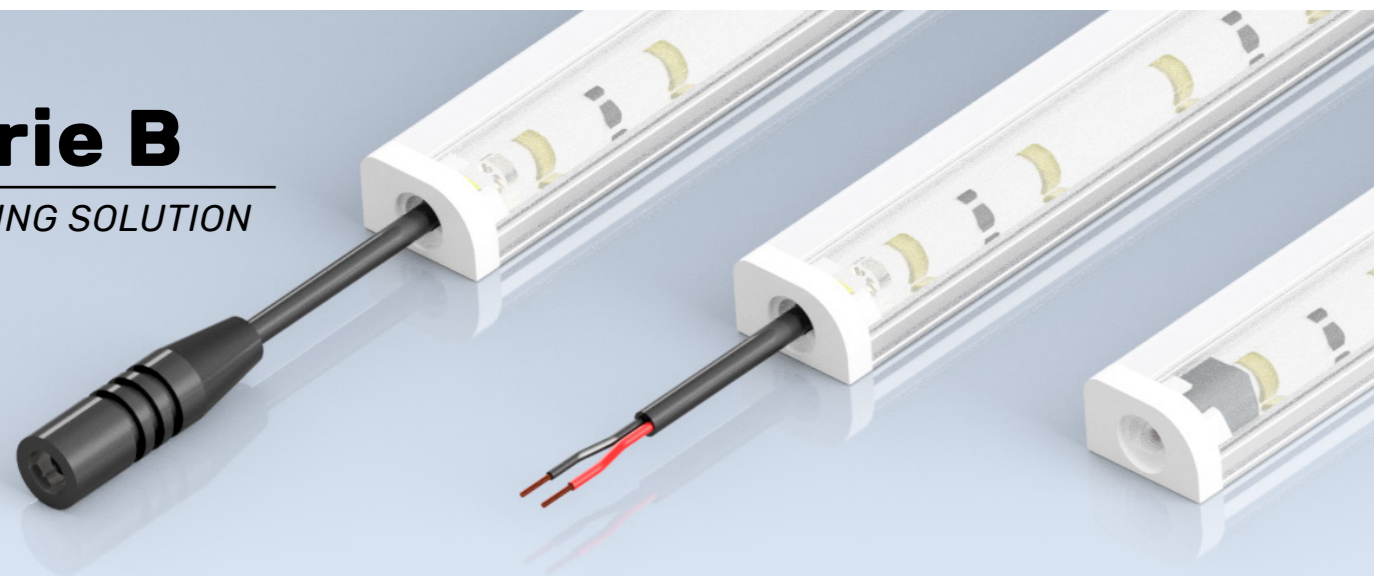
*custom length on request



Wire AWG 24

Serie B

LIGHTING SOLUTION



24V
DC



IP65

22.5W/m

Product Features

- CRI 80Ra
- Highest quality components 2835 Leds
- 110° beam angle tilted 70°
- CCT available 3000 ÷ 6500, PINK, RGB,
- 24V DC input voltage
- Up to 1200 lm/m
- Working Temperature: -20°C to 45°C
- Max Power consumption 22.5W/m
- IP Rating: IP65
- Lifetime 50.000h
- Energy labelling available (EPREL)

Customization

- Custom CCT to obtain your cromatic coordinates
- Custom length on request
- CRI 90Ra on request
- Input voltage on request

Material:

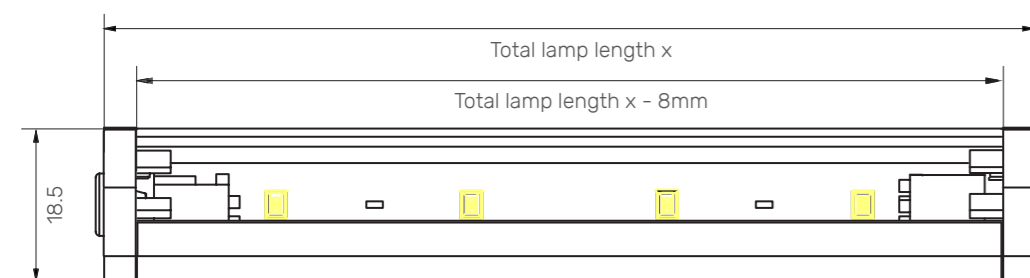
Cover in polycarbonate clear or opal
Grey side closure cap in PA 6
Profile in aluminium

Standard:

EN IEC 62031, EN 62471, IEC/TR 61547-1, EN/IEC 55015,
EN/IEC 60598-1, EN/IEC 60335-2-24, EN/IEC 60335-2-89



Dimensions



1. Specifications might change without notice



2. Special design on request

Specifications

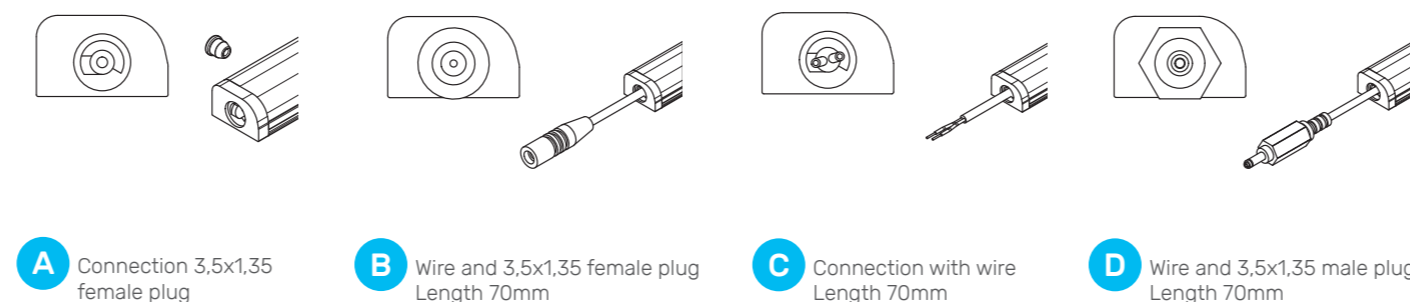
COMBINATION CODE			(1)	(2)	(3)	VALUE					
Model	Length	Led Type	Voltage (V)	CCT* (K)	Connection*		Covering Finishing*	Lumen (lm)	Power (W)	n°LED	Length "x" (mm)
					R	L					
ELED-CSB	060	2835	24	3000 ÷ 6500 PINK RGB	A	A	0	432	4,5	36	608
					B	B	1	378			
ELED-CSB	090	2835	24	3000 ÷ 6500 PINK RGB	A	A	0	648	6,75	54	908
					B	B	1	567			
ELED-CSB	120	2835	24	3000 ÷ 6500 PINK RGB	A	A	0	864	9	72	1208
					B	B	1	756			
ELED-CSB	150	2835	24	3000 ÷ 6500 PINK RGB	A	A	0	1080	11,5	90	1508
					B	B	1	945			
High Performance Model											
ELED-CHB	060	2835	24	3000 ÷ 6500 PINK RGB	A	A	0	720	9	72	608
					B	B	1	630			
ELED-CHB	090	2835	24	3000 ÷ 6500 PINK RGB	A	A	0	1080	13,5	108	908
					B	B	1	945			
ELED-CHB	120	2835	24	3000 ÷ 6500 PINK RGB	A	A	0	1440	18	144	1208
					B	B	1	1250			
ELED-CHB	150	2835	24	3000 ÷ 6500 PINK RGB	A	A	0	1800	22,5	180	1508
					B	B	1	1575			

* choose an option from below

Color Temperature Options (1)



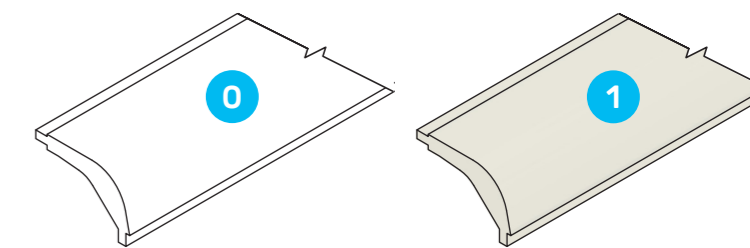
Connection Options (2)



- A** Connection 3,5x1,35 female plug
- B** Wire and 3,5x1,35 female plug Length 70mm
- C** Connection with wire Length 70mm
- D** Wire and 3,5x1,35 male plug Length 70mm

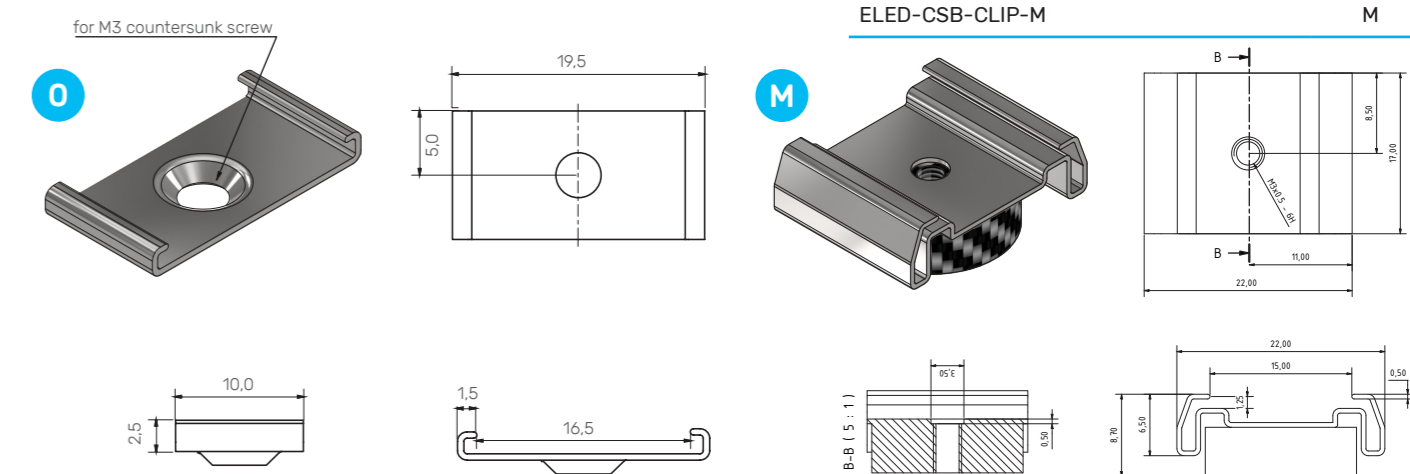
Cover Finishing (3)

- 0** Clear PC Cover
- 1** Opal PC Cover

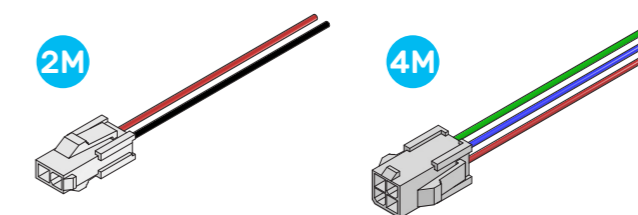


Accessories

Mounting Clip

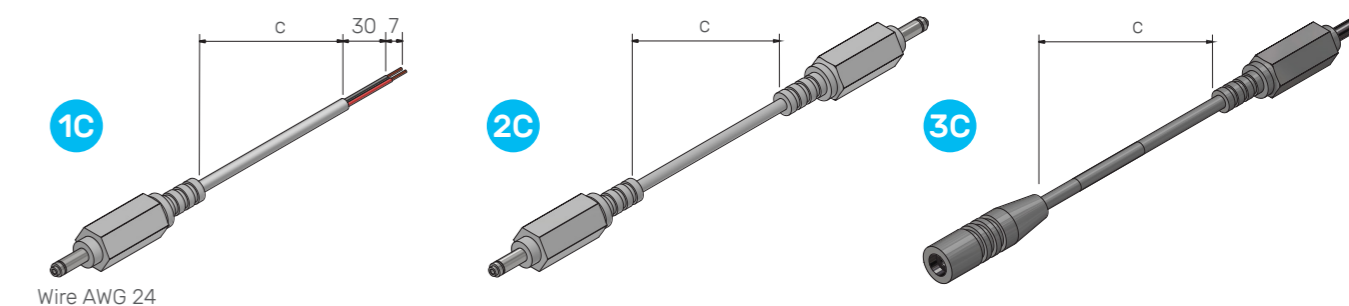


Wire Options



Model	Type	Length "c" (mm)
ELED-CAB-xxx-2M	2M	on request
ELED-CAB-xxx-4M	4M	on request
ELED-CAB-150-1C	1C	1500
ELED-CAB-050-2C	2C	500
ELED-CAB-050-3C	3C	500

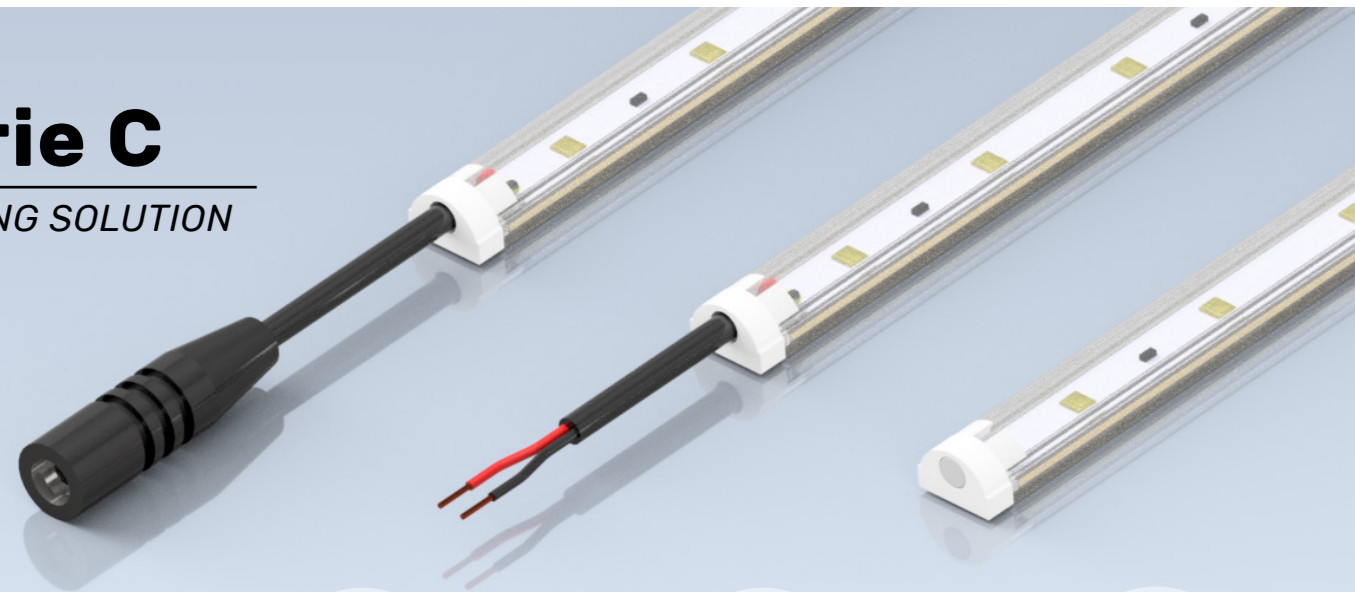
*custom length on request



Wire AWG 24

Serie C

LIGHTING SOLUTION



24V
DC

120°

IP65

22.5W/m

Product Features

- CRI 80Ra
- Highest quality components 2835 Leds
- 120° beam angle
- CCT available 3000 ÷ 6500, PINK, RGB
- 24V DC input voltage
- Up to 1200 lm/m
- Working Temperature: -20°C to 45°C
- Max Power consumption 22.5W/m
- IP Rating: IP65
- Lifetime 50.000h
- Energy labelling available (EPREL)

Customization

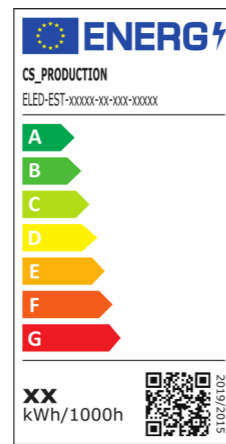
- Custom CCT to obtain your cromatic coordinates
- Custom length on request
- CRI 90Ra on request
- Input voltage on request

Material:

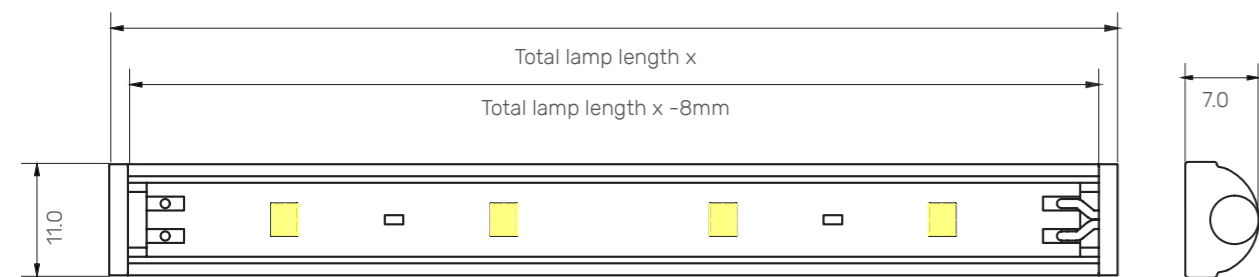
Cover in polycarbonate clear or opal
Grey side closure cap in PA 6
Profile in aluminium

Standard:

EN IEC 62031, EN 62471, IEC/TR 61547-1, EN/IEC 55015, EN/IEC 60598-1, EN/IEC 60335-2-24, EN/IEC 60335-2-89



Dimensions



1. Specifications might change without notice

2. Special design on request

Specifications

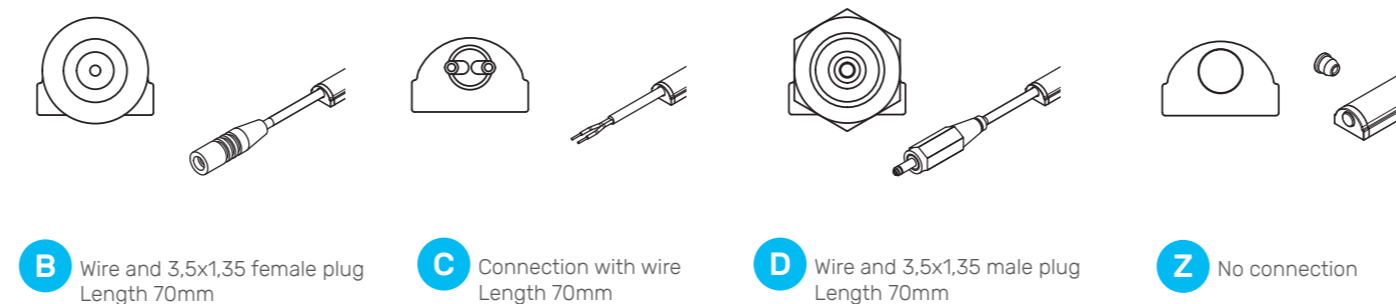
COMBINATION CODE			(1)	(2)	(3)	VALUE					
Model	Length	Led Type	Voltage (V)	CCT* (K)	Connection*		Covering Finishing*	Lumen (lm)	Power (W)	n°LED	Length "x" (mm)
					R	L					
ELED-CSC	060	2835	24	3000 ÷ 6500 PINK RGB	B	B	0	432	4,5	36	608
					C	C	1	378			
ELED-CSC	090	2835	24	3000 ÷ 6500 PINK RGB	B	B	0	648	6,75	54	908
					C	C	1	567			
ELED-CSC	120	2835	24	3000 ÷ 6500 PINK RGB	B	B	0	864	9	72	1208
					C	C	1	756			
ELED-CSC	150	2835	24	3000 ÷ 6500 PINK RGB	B	B	0	1080	11,5	90	1508
					C	C	1	945			
High Performance Model											
ELED-CHC	060	2835	24	3000 ÷ 6500 PINK RGB	B	B	0	720	9	72	608
					C	C	1	630			
ELED-CHC	090	2835	24	3000 ÷ 6500 PINK RGB	B	B	0	1080	13,5	108	908
					C	C	1	945			
ELED-CHC	120	2835	24	3000 ÷ 6500 PINK RGB	B	B	0	1440	18	144	1208
					C	C	1	1250			
ELED-CHC	150	2835	24	3000 ÷ 6500 PINK RGB	B	B	0	1800	22,5	180	1508
					C	C	1	1575			

* choose an option from below

Color Temperature Options (1)



Connection Options (2)



B Wire and 3,5x1,35 female plug
Length 70mm

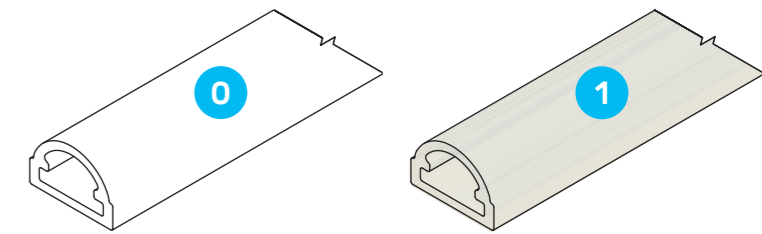
C Connection with wire
Length 70mm

D Wire and 3,5x1,35 male plug
Length 70mm

Z No connection

Cover Finishing (3)

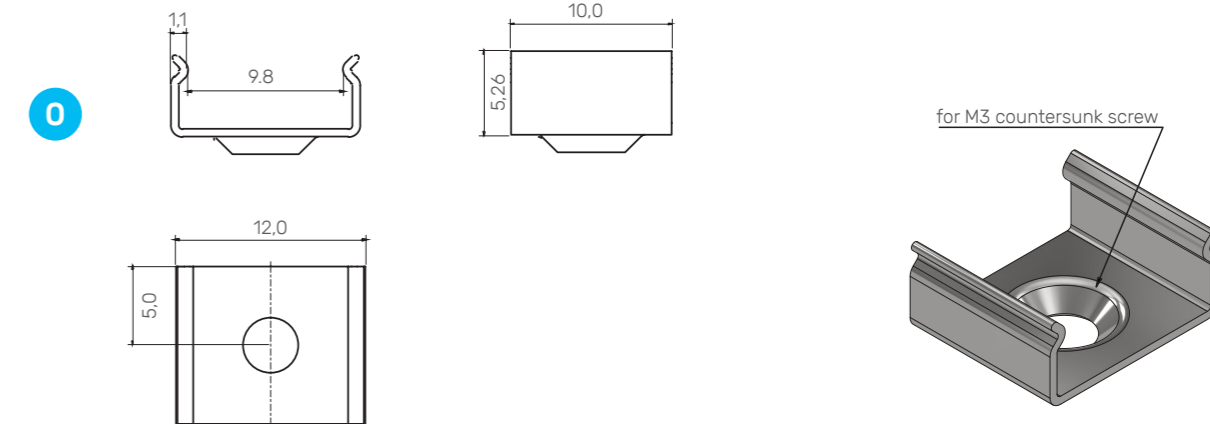
- 0** Clear PC Cover
- 1** Opal PC Cover



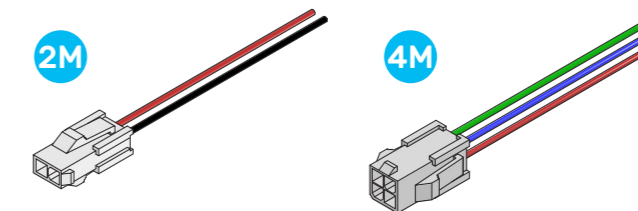
Accessories

Mounting Clip

Model	Type
ELED-CSC-CLIP-0	0

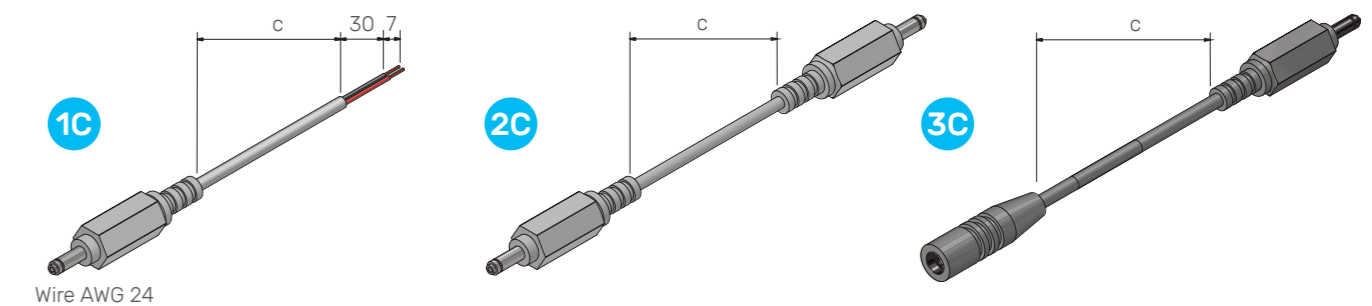


Wire Options



Model	Type	Length "c" (mm)
ELED-CAB-xxx-2M	2M	on request
ELED-CAB-xxx-4M	4M	on request
ELED-CAB-150-1C	1C	1500
ELED-CAB-050-2C	2C	500
ELED-CAB-050-3C	3C	500

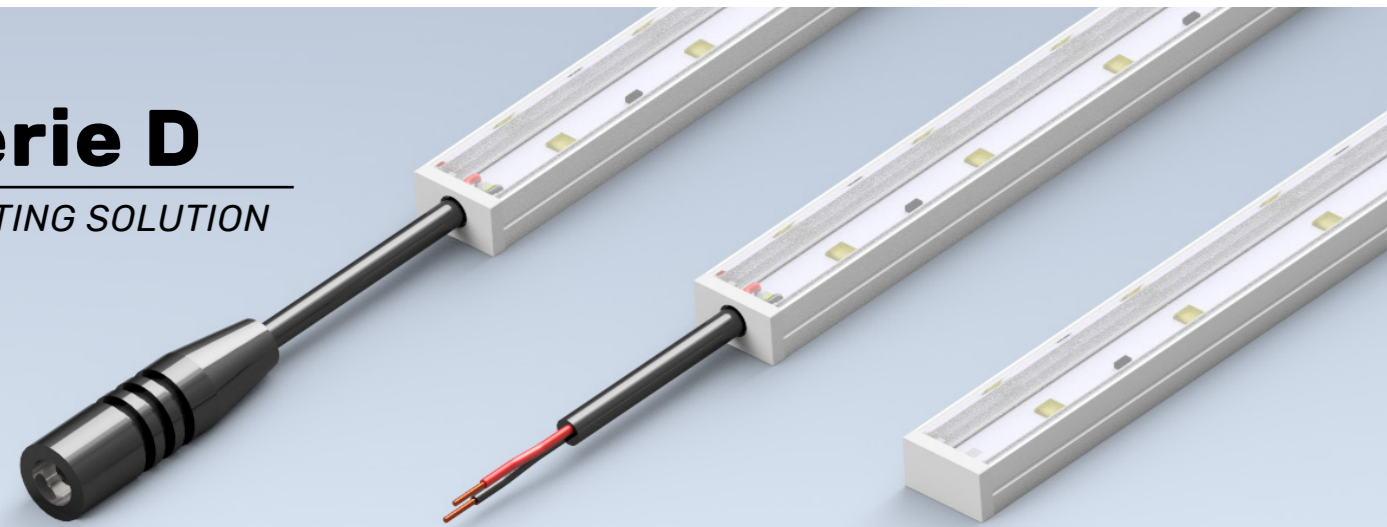
*custom length on request



Wire AWG 24

Serie D

LIGHTING SOLUTION



24V DC

120°

IP65

22.5W/m

Product Features

- CRI 80Ra
- Highest quality components 2835 Leds
- 120° beam angle
- CCT available 3000 ÷ 6500, PINK, RGB
- 24V DC input voltage
- Up to 1200 lm/m
- Working Temperature: -20°C to 45°C
- Max Power consumption 22.5W/m
- IP Rating: IP65
- Lifetime 50.000h
- Energy labelling available (EPREL)

Customization

- Custom CCT to obtain your cromatic coordinates
- Custom length on request
- CRI 90Ra on request
- Input voltage on request

Material:

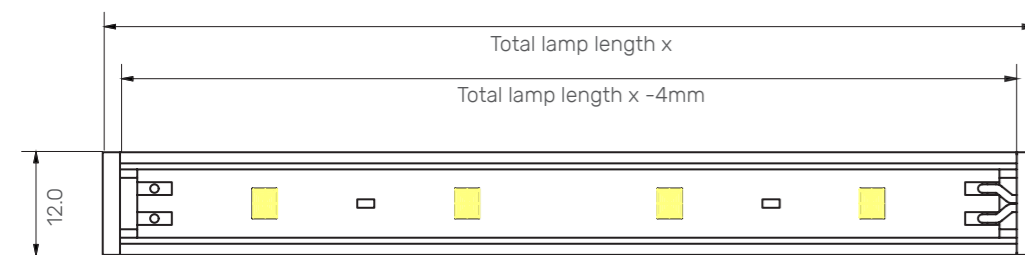
Cover in polycarbonate clear or opal
Grey side closure cap in PA 6
Profile in aluminium

Standard:

EN IEC 62031, EN 62471, IEC/TR 61547-1, EN/IEC 55015, EN/IEC 60598-1, EN/IEC 60335-2-24, EN/IEC 60335-2-89



Dimensions



1. Specifications might change without notice



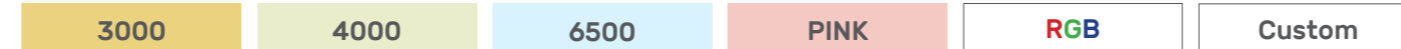
2. Special design on request

Specifications

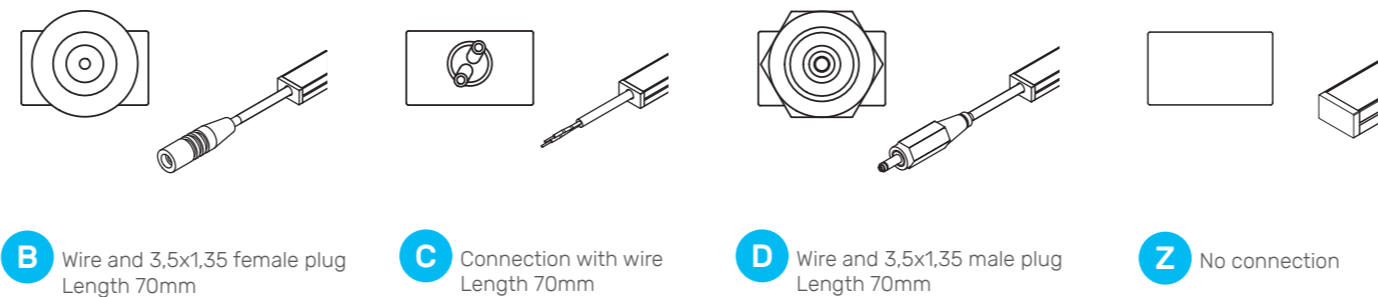
COMBINATION CODE		(1)	(2)	(3)	VALUE						
Model	Length	Led Type	Voltage (V)	CCT* (K)	Connection*		Covering Finishing*	Lumen (lm)	Power (W)	n°LED	Length "x" (mm)
					R	L					
ELED-CSD	060	2835	24	3000 ÷ 6500 PINK RGB	B C D	B C D Z	0	432	4,5	36	604
							1	378			
ELED-CSD	090	2835	24	3000 ÷ 6500 PINK RGB	B C D	B C D Z	0	648	6,75	54	904
							1	567			
ELED-CSD	120	2835	24	3000 ÷ 6500 PINK RGB	B C D	B C D Z	0	864	9	72	1204
							1	756			
ELED-CSD	150	2835	24	3000 ÷ 6500 PINK RGB	B C D	B C D Z	0	1080	11,5	90	1504
							1	945			
High Performance Model											
ELED-CHD	060	2835	24	3000 ÷ 6500 PINK RGB	B C D	B C D Z	0	720	9	72	604
							1	630			
ELED-CHD	090	2835	24	3000 ÷ 6500 PINK RGB	B C D	B C D Z	0	1080	13,5	108	904
							1	945			
ELED-CHD	120	2835	24	3000 ÷ 6500 PINK RGB	B C D	B C D Z	0	1440	18	144	1204
							1	1250			
ELED-CHD	150	2835	24	3000 ÷ 6500 PINK RGB	B C D	B C D Z	0	1800	22,5	180	1504
							1	1575			

* choose an option from below

Color Temperature Options (1)

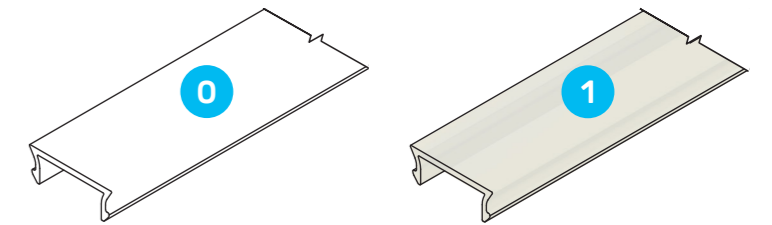


Connection Options (2)



Cover Finishing (3)

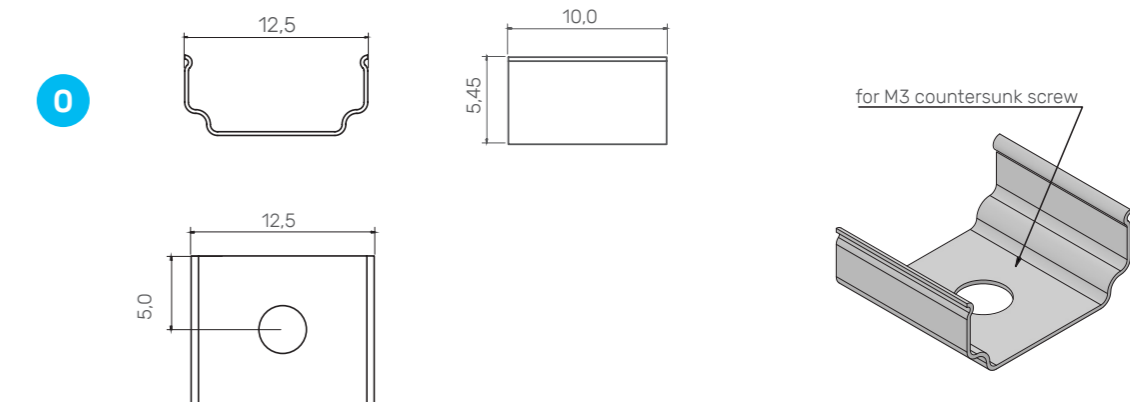
- 0 Clear PC Cover
- 1 Opal PC Cover



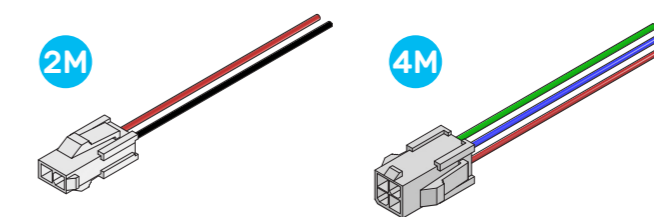
Accessories

Mounting Clip

Model	Type
ELED-CSD-CLIP-0	0

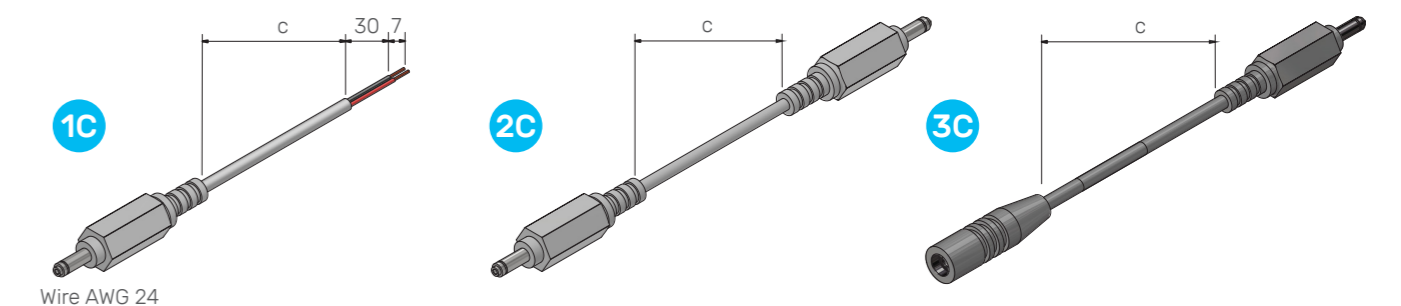


Wire Options



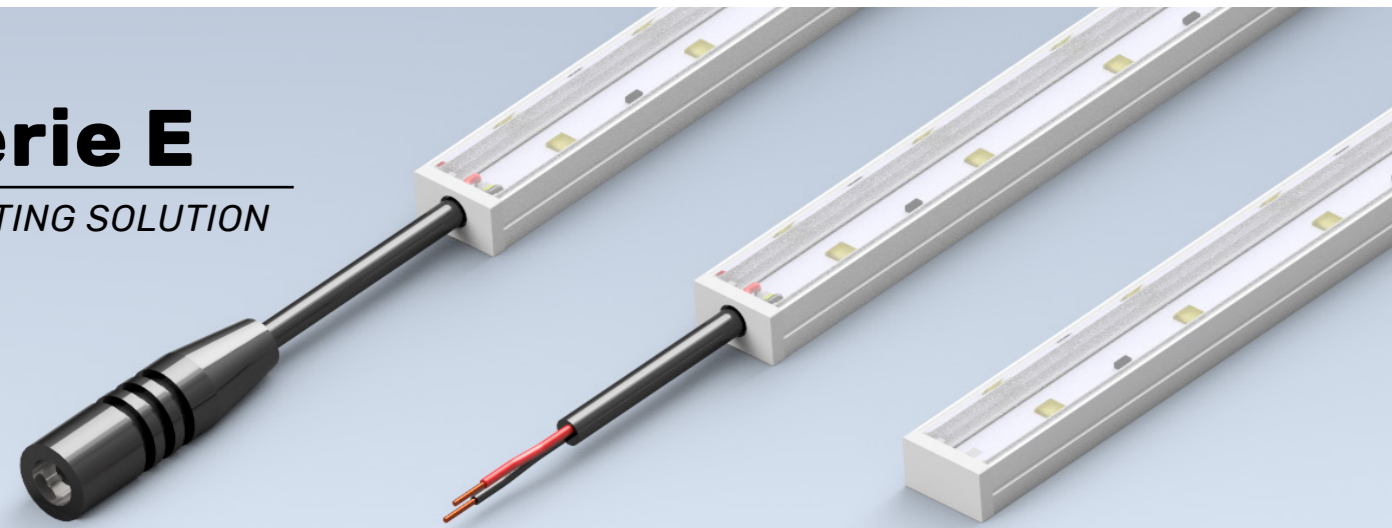
Model	Type	Length "c" (mm)
ELED-CAB-xxx-2M	2M	on request
ELED-CAB-xxx-4M	4M	on request
ELED-CAB-150-1C	1C	1500
ELED-CAB-050-2C	2C	500
ELED-CAB-050-3C	3C	500

*custom length on request



Serie E

LIGHTING SOLUTION



24V DC

120°

IP65

22.5W/m

Product Features

- CRI 80Ra
- Highest quality components 2835 Leds
- 120° beam angle
- CCT available 3000 ÷ 6500, PINK, RGB
- 24V DC input voltage
- Up to 1200 lm/m
- Working Temperature: -20°C to 45°C
- Max Power consumption 22.5W/m
- IP Rating: IP65
- Lifetime 50.000h
- Energy labelling available (EPREL)

Customization

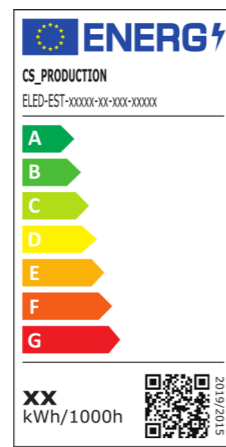
- Custom CCT to obtain your cromatic coordinates
- Custom length on request
- CRI 90Ra on request
- Input voltage on request

Material:

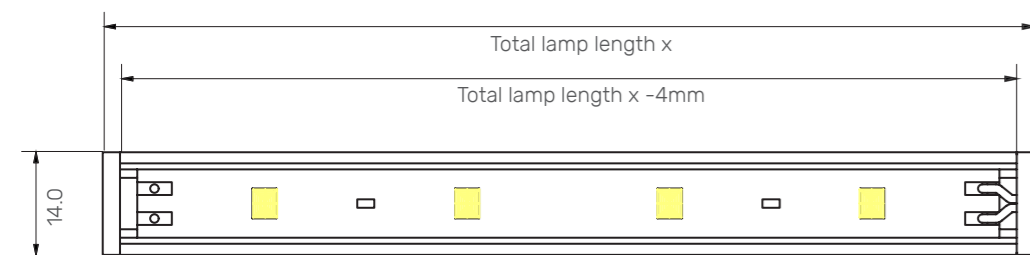
Cover in polycarbonate clear or opal
Side closure cap in PA 6
Profile in aluminium

Standard:

EN IEC 62031, EN 62471, IEC/TR 61547-1, EN/IEC 55015, EN/IEC 60598-1, EN/IEC 60335-2-24, EN/IEC 60335-2-89



Dimensions



1. Specifications might change without notice



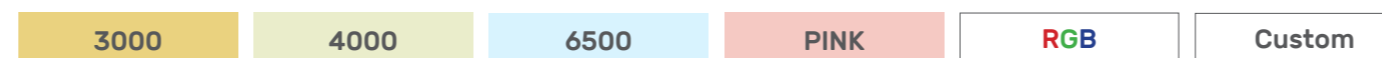
2. Special design on request

Specifications

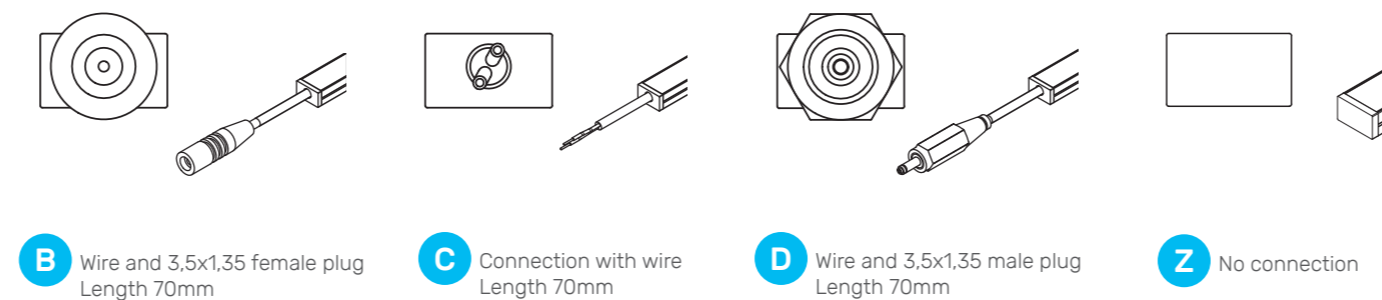
COMBINATION CODE			(1)	(2)	(3)	VALUE					
Model	Length	Led Type	Voltage (V)	CCT* (K)	Connection*		Covering Finishing*	Lumen (lm)	Power (W)	n°LED	Length "x" (mm)
ELED-CSE	060	2835	24	3000 ÷ 6500 PINK RGB	B C D	B C D Z	0	432	4,5	36	604
							1	378			
ELED-CSE	090	2835	24	3000 ÷ 6500 PINK RGB	B C D	B C D Z	0	648	6,75	54	904
							1	567			
ELED-CSE	120	2835	24	3000 ÷ 6500 PINK RGB	B C D	B C D Z	0	864	9	72	1204
							1	756			
ELED-CSE	150	2835	24	3000 ÷ 6500 PINK RGB	B C D	B C D Z	0	1080	11,5	90	1504
							1	945			
High Performance Model											
ELED-CHE	060	2835	24	3000 ÷ 6500 PINK RGB	B C D	B C D Z	0	720	9	72	604
							1	630			
ELED-CHE	090	2835	24	3000 ÷ 6500 PINK RGB	B C D	B C D Z	0	1080	13,5	108	904
							1	945			
ELED-CHE	120	2835	24	3000 ÷ 6500 PINK RGB	B C D	B C D Z	0	1440	18	144	1204
							1	1250			
ELED-CHE	150	2835	24	3000 ÷ 6500 PINK RGB	B C D	B C D Z	0	1800	22,5	180	1504
							1	1575			

* choose an option from below

Color Temperature Options (1)



Connection Options (2)



B Wire and 3,5x1,35 female plug Length 70mm

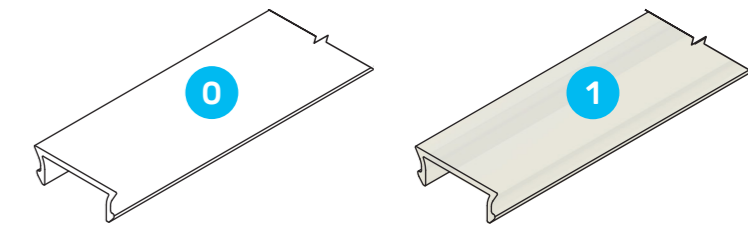
C Connection with wire Length 70mm

D Wire and 3,5x1,35 male plug Length 70mm

Z No connection

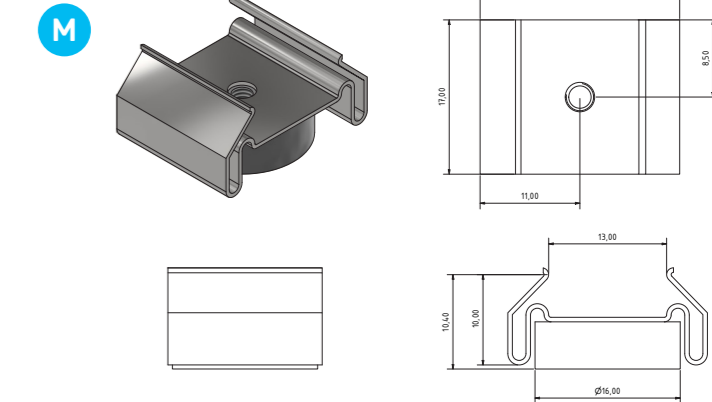
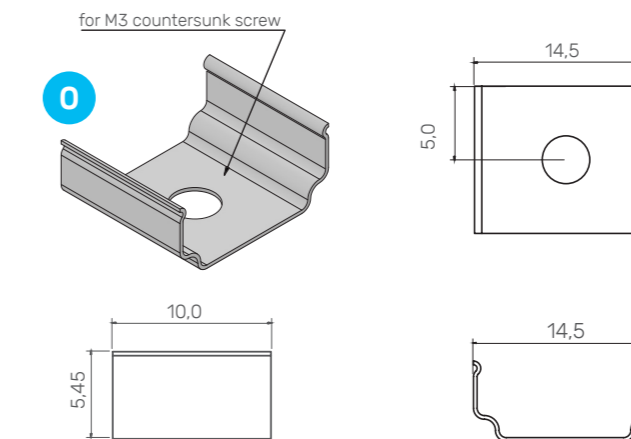
Cover Finishing (3)

- 0** Clear PC Cover
- 1** Opal PC Cover



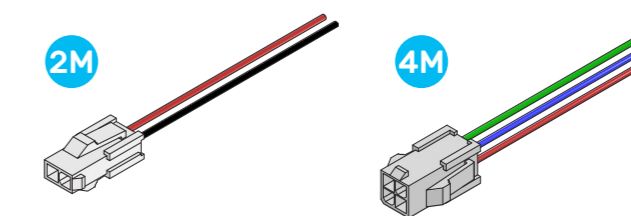
Accessories

Mounting Clip



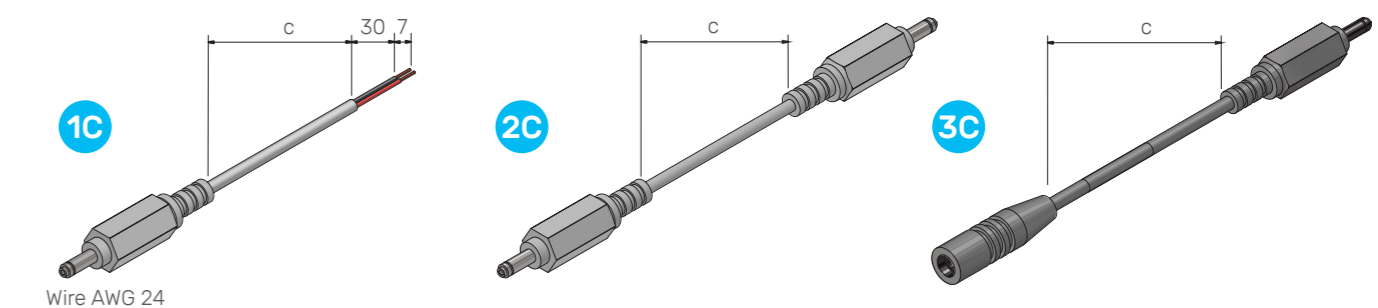
Model	Type
ELED-CSE-CLIP-0	0
ELED-CSE-CLIP-M	M

Wire Options



Model	Type	Length "c" (mm)
ELED-CAB-xxx-2M	2M	on request
ELED-CAB-xxx-4M	4M	on request
ELED-CAB-150-1C	1C	1500
ELED-CAB-050-2C	2C	500
ELED-CAB-050-3C	3C	500

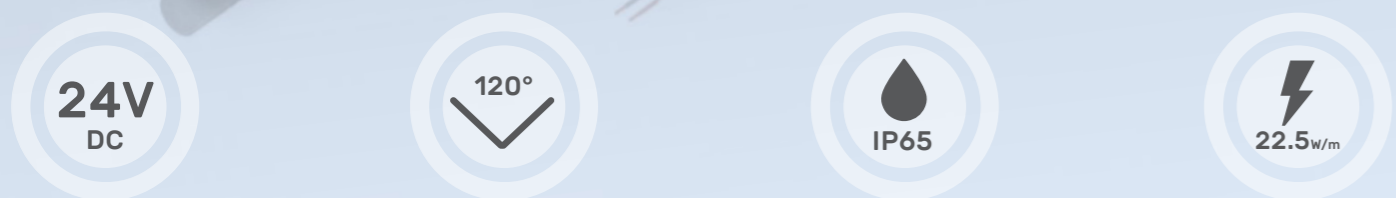
*custom length on request



Wire AWG 24

Serie F

LIGHTING SOLUTION



Product Features

- CRI 80Ra
- Highest quality components 2835 Leds
- 120° beam angle
- CCT available 3000 ÷ 6500, PINK, RGB
- 24V DC input voltage
- Up to 1800 lm/m
- Working Temperature: -20°C to 45°C
- Max Power consumption 22.5W/m
- IP Rating: IP65
- Lifetime 50.000h
- Energy labelling available (EPREL)

Customization

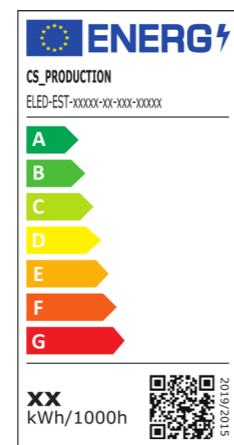
- Custom CCT to obtain your cromatic coordinates
- Custom length on request
- CRI 90Ra on request
- Input voltage on request

Material:

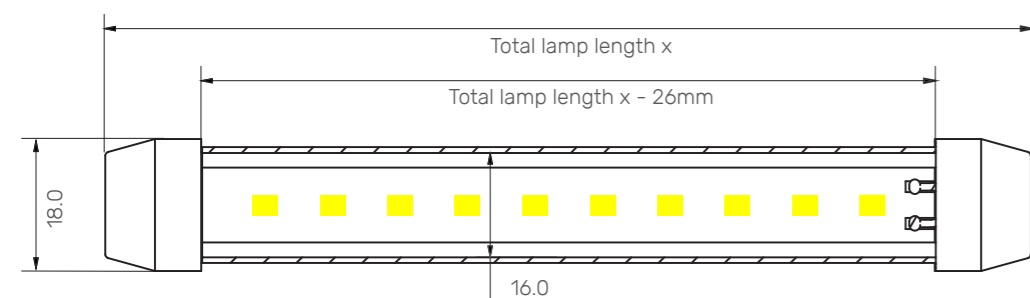
Cover in polycarbonate clear or opal
Black side closure cap in PA 6

Standard:

EN IEC 62031, EN 62471, IEC/TR 61547-1, EN/IEC 55015, EN/IEC 60598-1, EN/IEC 60335-2-24, EN/IEC 60335-2-89



Dimensions



1. Specifications might change without notice

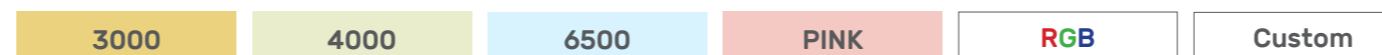
2. Special design on request

Specifications

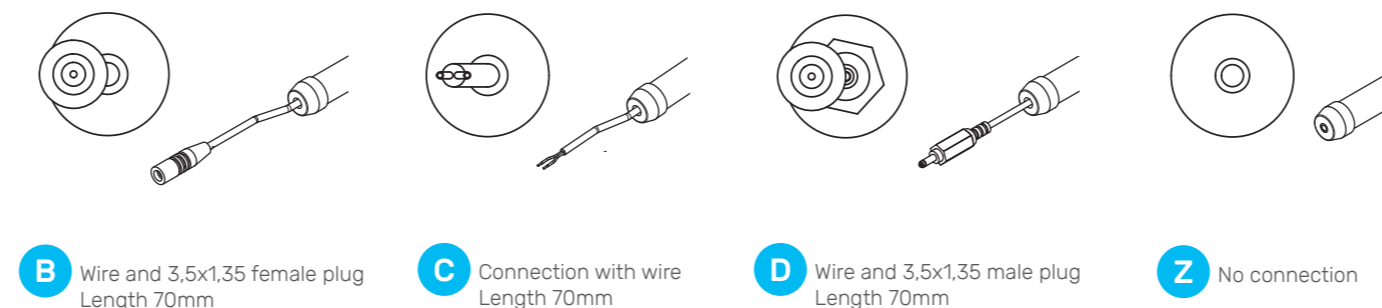
COMBINATION CODE			(1)	(2)	(3)	VALUE					
Model	Length	Led Type	Voltage (V)	CCT* (K)	Connection*		Covering Finishing*	Lumen (lm)	Power (W)	n°LED	Length "x" (mm)
ELED-CSF	050	2835	24	3000 ÷ 6500 PINK RGB	B C D	B C D Z	0	411	3.8	54	506
							1	360			
ELED-CSF	098	2835	24	3000 ÷ 6500 PINK RGB	B C D	B C D Z	0	932	7.7	120	986
							1	815			
ELED-CSF	120	2835	24	3000 ÷ 6500 PINK RGB	B C D	B C D Z	0	991	8.9	144	1200
							1	860			
High Performance Model											
ELED-CHF	050	2835	24	3000 ÷ 6500 PINK RGB	B C D	B C D Z	0	900	11.5	90	506
							1	787			
ELED-CHF	098	2835	24	3000 ÷ 6500 PINK RGB	B C D	B C D Z	0	1770	22	177	986
							1	1550			
ELED-CHF	120	2835	24	3000 ÷ 6500 PINK RGB	B C D	B C D Z	0	2160	27	216	1200
							1	1890			

* choose an option from below

Color Temperature Options (1)

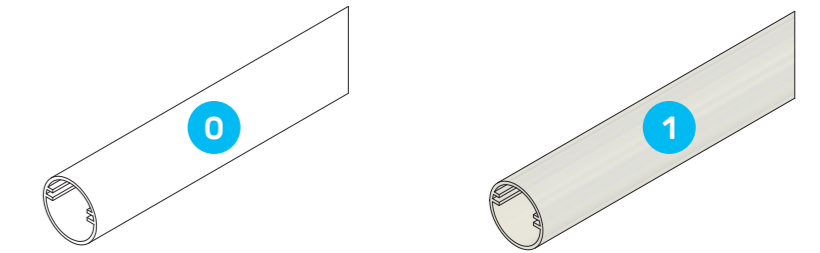


Connection Options (2)



Cover Finishing (3)

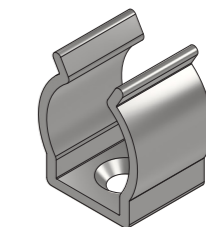
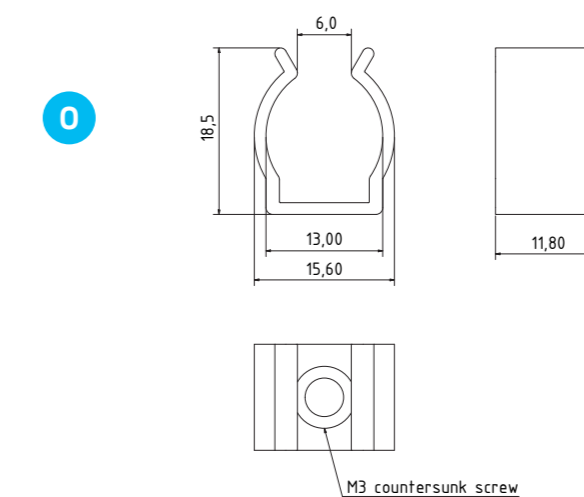
- 0 Clear PC Cover
- 1 Opal PC Cover



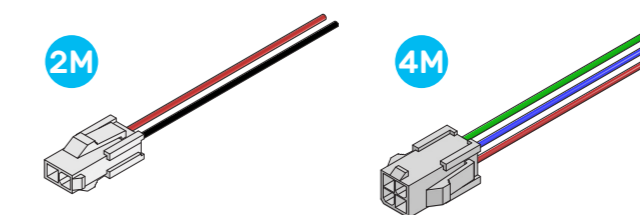
Accessories

Mounting Clip

Model	Type
ELED-CSF-CLIP-0	0

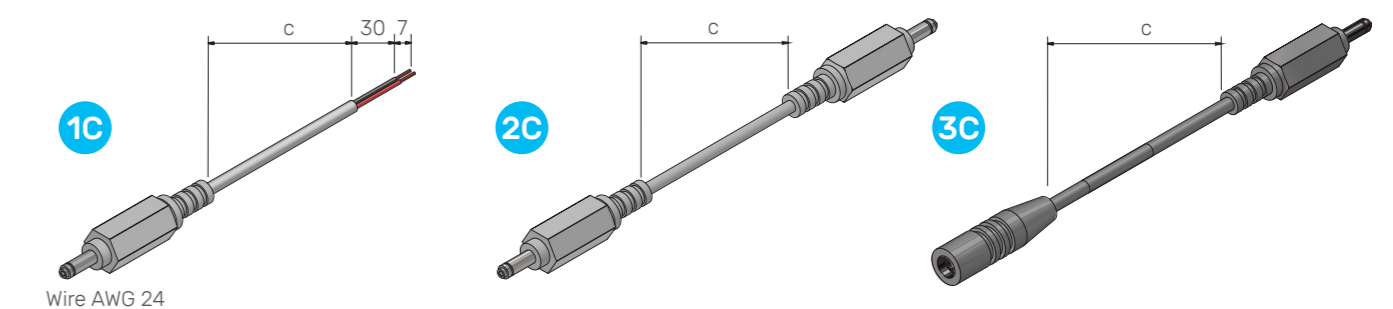


Wire Options



Model	Type	Length "c" (mm)
ELED-CAB-xxx-2M	2M	on request
ELED-CAB-xxx-4M	4M	on request
ELED-CAB-150-1C	1C	1500
ELED-CAB-050-2C	2C	500
ELED-CAB-050-3C	3C	500

*custom length on request



Wire AWG 24

Serie G

LIGHTING SOLUTION

24V
DC

120°

IP65

22.5W/m

Product Features

- CRI 80Ra
- Highest quality components 2835 Leds
- Double 120° beam angle
- CCT available 3000 ÷ 6500, PINK, RGB
- 24V DC input voltage
- Up to 1200 lm/m
- Working Temperature: -20°C to 45°C
- Max Power consumption 22.5W/m
- IP Rating: IP65
- Lifetime 50,000h
- Energy labelling available (EPREL)

Customization

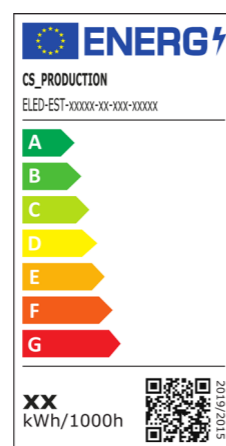
- Custom CCT to obtain your cromatic coordinates
- Custom length on request
- CRI 90Ra on request
- Input voltage on request

Material:

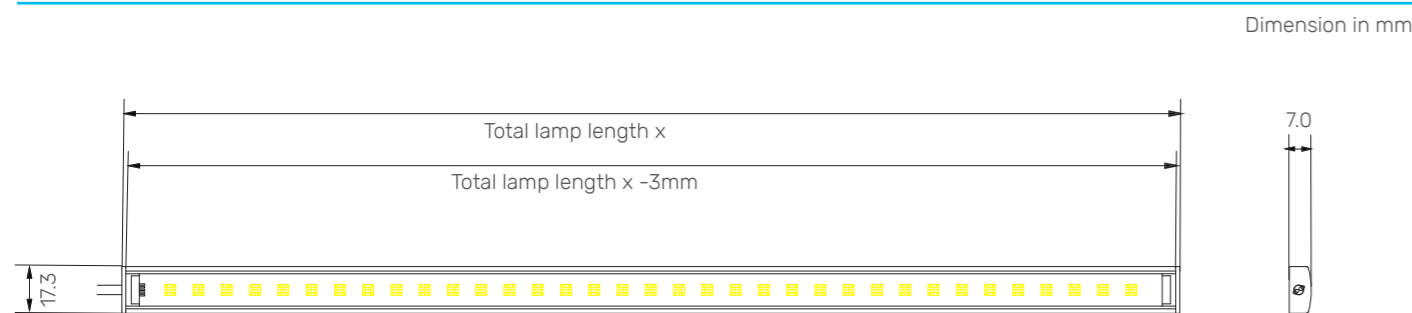
Cover in polycarbonate clear or opal
Grey side closure cap in PA 6
Profile in aluminium

Standard:

EN IEC 62031, EN 62471, IEC/TR 61547-1, EN/IEC 55015, EN/IEC 60598-1, EN/IEC 60335-2-24, EN/IEC 60335-2-89



Dimensions



1. Specifications might change without notice

2. Special design on request

Specifications

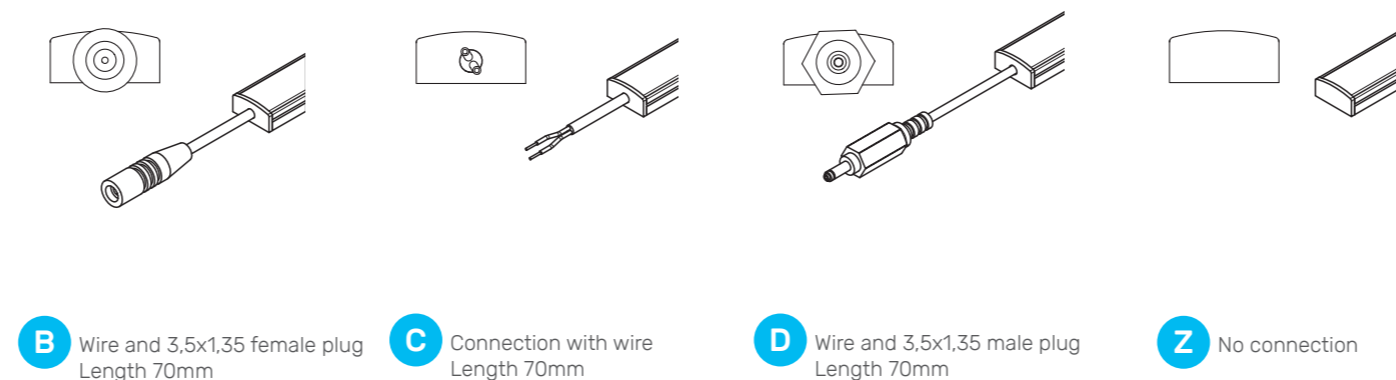
COMBINATION CODE		(1)	(2)	(3)	VALUE						
Model	Length	Led Type	Voltage (V)	CCT* (K)	Connection*		Covering Finishing*	Lumen (lm)	Power (W)	n°LED	Length "x" (mm)
					R	L					
ELED-CSG	060	2835	24	3000 ÷ 6500 PINK RGB	B C D	B C D Z	0	432	4.5	36	603
							1	378			
ELED-CSG	090	2835	24	3000 ÷ 6500 PINK RGB	B C D	B C D Z	0	648	6.75	54	903
							1	567			
ELED-CSG	120	2835	24	3000 ÷ 6500 PINK RGB	B C D	B C D Z	0	864	9	72	1203
							1	756			
ELED-CSG	150	2835	24	3000 ÷ 6500 PINK RGB	B C D	B C D Z	0	1080	11.5	90	1503
							1	945			
High Performance Model											
ELED-CHG	060	2835	24	3000 ÷ 6500 PINK RGB	B C D	B C D Z	0	720	9	72	603
							1	630			
ELED-CHG	090	2835	24	3000 ÷ 6500 PINK RGB	B C D	B C D Z	0	1080	13.5	108	903
							1	945			
ELED-CHG	120	2835	24	3000 ÷ 6500 PINK RGB	B C D	B C D Z	0	1440	18	144	1203
							1	1250			
ELED-CHG	150	2835	24	3000 ÷ 6500 PINK RGB	B C D	B C D Z	0	1800	22.5	180	1503
							1	1575			

* choose an option from below

Color Temperature Options (1)



Connection Options (2)



B Wire and 3,5x1,35 female plug
Length 70mm

C Connection with wire
Length 70mm

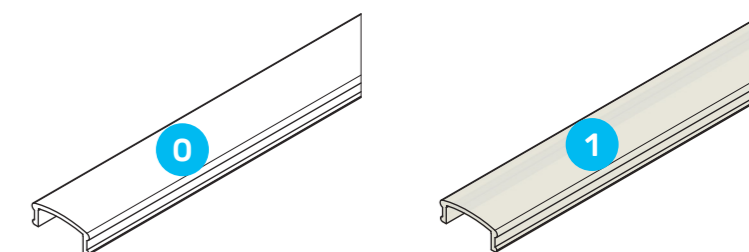
D Wire and 3,5x1,35 male plug
Length 70mm

Z No connection

Cover Finishing (3)

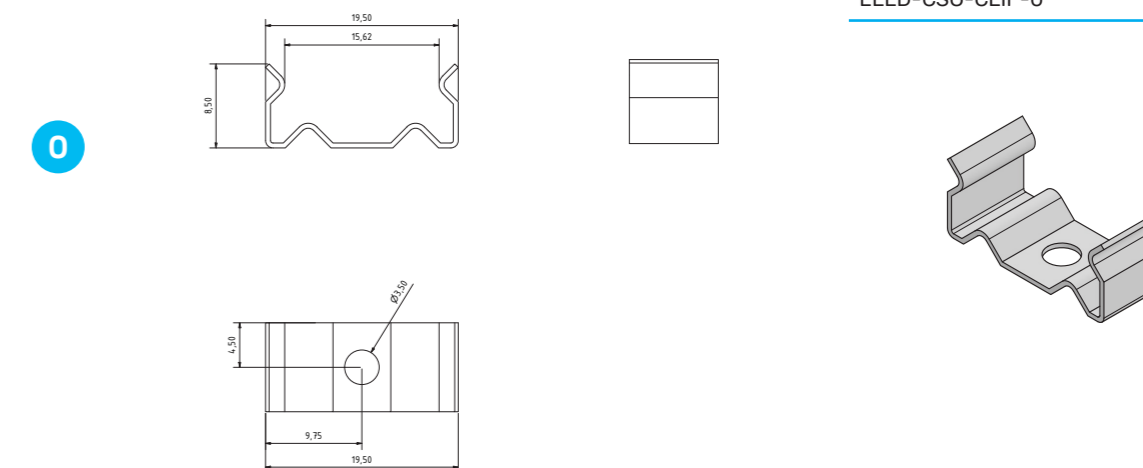
0 Clear PC Cover

1 Opal PC Cover



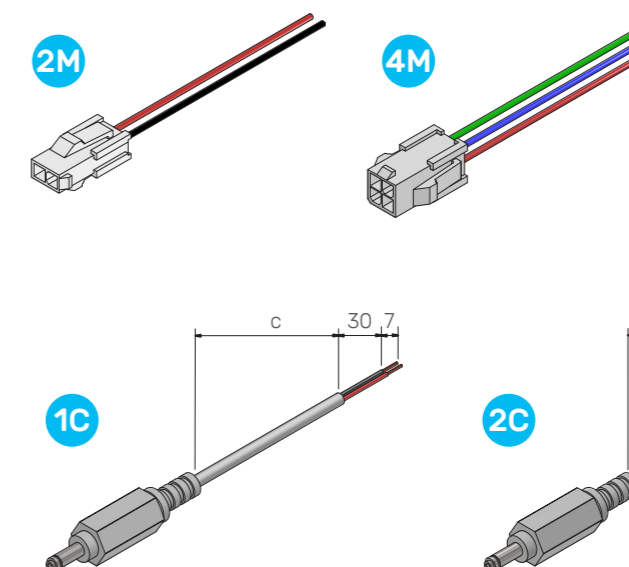
Accessories

Mounting Clip



Model	Type
ELED-CSG-CLIP-0	0

Wire Options

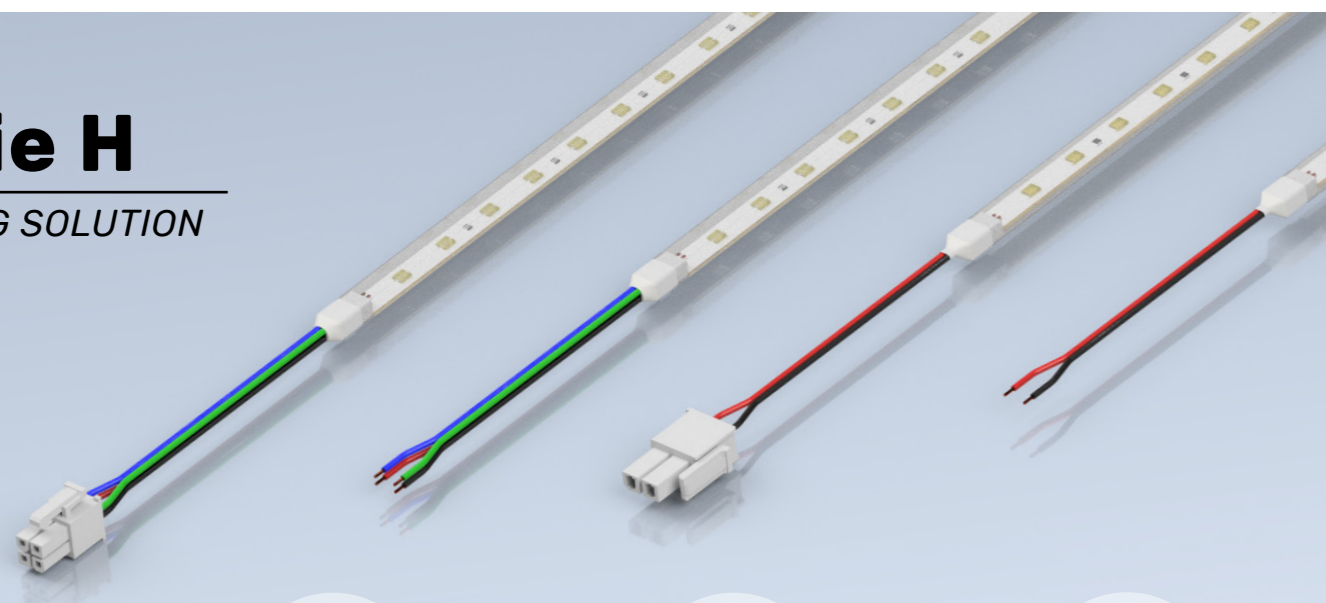


Model	Type	Length "c" (mm)
ELED-CAB-xxx-2M	2M	on request
ELED-CAB-xxx-4M	4M	on request
ELED-CAB-150-1C	1C	1500
ELED-CAB-050-2C	2C	500
ELED-CAB-050-3C	3C	500

*custom length on request

Serie H

LIGHTING SOLUTION



Product Features

- CRI 80Ra
- Highest quality components 2835 Leds
- 120° beam angle
- CCT available 3000 ÷ 6500, PINK, RGB
- 24V DC input voltage
- Up to 1200 lm/m
- Working Temperature: -35°C to 65°C
- Max Power consumption 22.5W/m
- IP Rating: IP54
- Lifetime 50.000h
- Energy labelling available (EPREL)

Customization

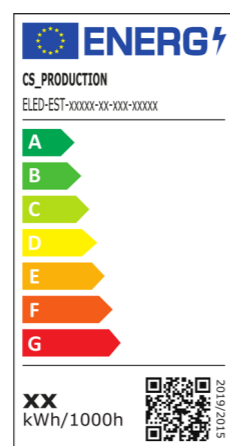
- Custom CCT to obtain your cromatic coordinates
- Custom length on request
- CRI 90Ra on request
- Input voltage on request

Material:

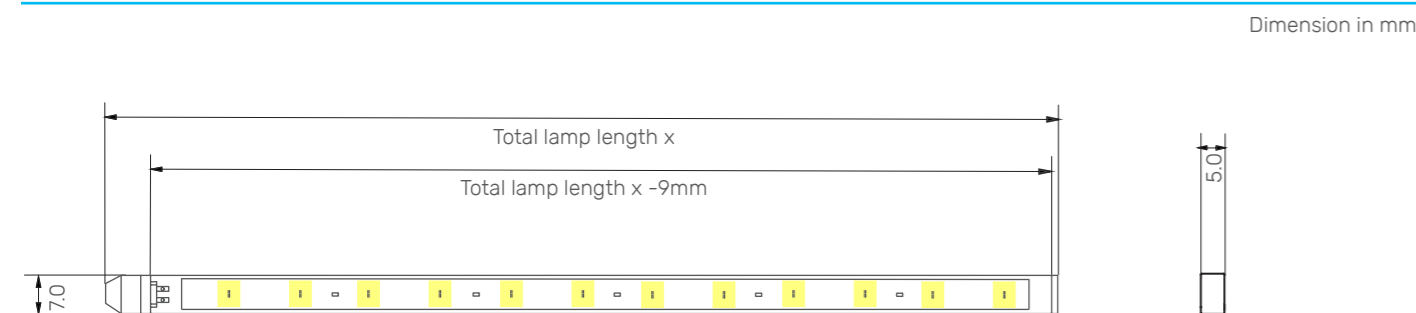
Cover in polycarbonate clear or opal
White side closure cap in PA 6

Standard:

EN IEC 62031, EN 62471, IEC/TR 61547-1, EN/IEC 55015, EN/IEC 60598-1, EN/IEC 60335-2-24, EN/IEC 60335-2-89



Dimensions



1. Specifications might change without notice

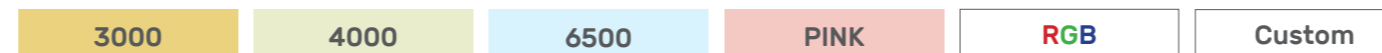
2. Special design on request

Specifications

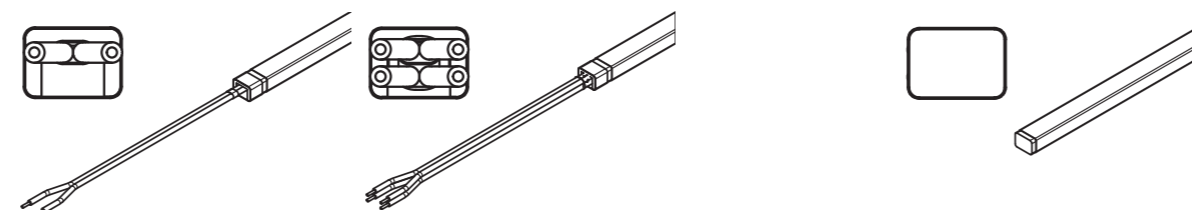
COMBINATION CODE			(1)	(2)	(3)	VALUE					
Model	Length	Led Type	Voltage (V)	CCT* (K)	Connection*		Covering Finishing*	Lumen (lm)	Power (W)	n°LED	Length "x" (mm)
ELED-CSH	011	2835	24	3000 ÷ 6500 PINK RGB	C	C Z	0	52	0,5	6	110
ELED-CSH	025	2835	24	3000 ÷ 6500 PINK RGB	C	C Z	1	45	2	18	255
ELED-CSH	035	2835	24	3000 ÷ 6500 PINK RGB	C	C Z	0	210	2,4	24	355
ELED-CSH	076	2835	24	3000 ÷ 6500 PINK RGB	C	C Z	1	184	4	45	760
High Performance Model											
ELED-CHH	011	2835	24	3000 ÷ 6500 PINK RGB	C	C Z	0	108	1,2	12	110
ELED-CHH	025	2835	24	3000 ÷ 6500 PINK RGB	C	C Z	1	95	3	30	255
ELED-CHH	035	2835	24	3000 ÷ 6500 PINK RGB	C	C Z	0	270	4,2	42	355
ELED-CHH	076	2835	24	3000 ÷ 6500 PINK RGB	C	C Z	1	235	9	91	760
ELED-CHH	035	2835	24	3000 ÷ 6500 PINK RGB	C	C Z	0	378	4,2	42	355
ELED-CHH	076	2835	24	3000 ÷ 6500 PINK RGB	C	C Z	1	330	9	91	760
ELED-CHH	076	2835	24	3000 ÷ 6500 PINK RGB	C	C Z	0	819	9	91	760
ELED-CHH	076	2835	24	3000 ÷ 6500 PINK RGB	C	C Z	1	715	9	91	760

* choose an option from below

Color Temperature Options (1)



Connection Options (2)

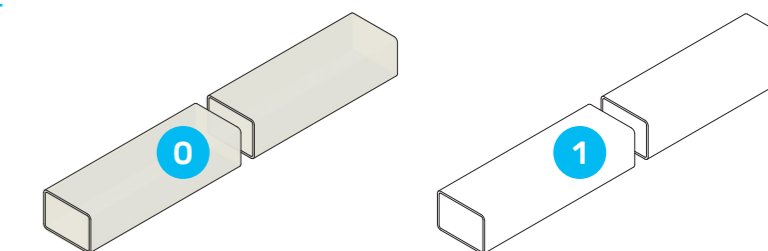


C Connection with wire
Length 70mm

Z No connection

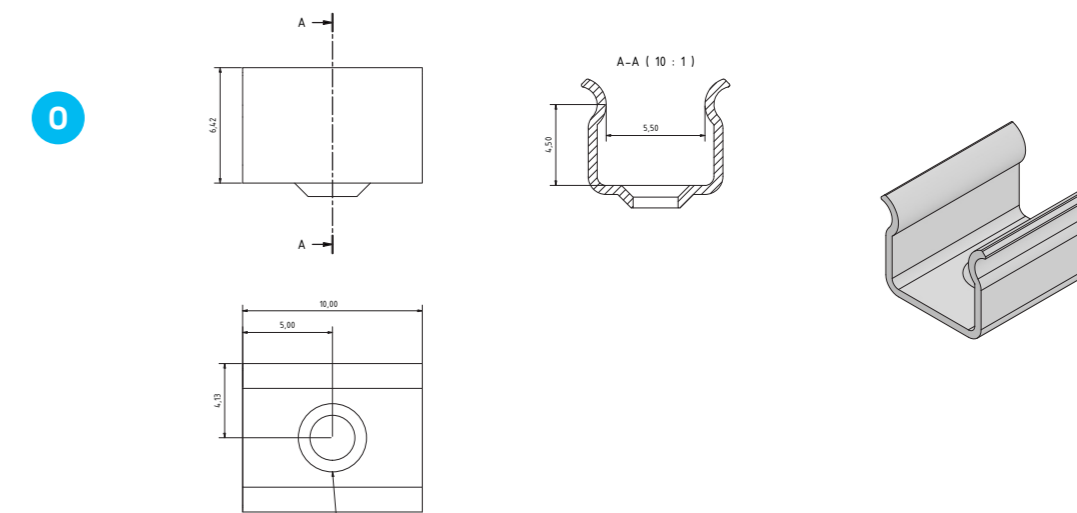
Cover Finishing (3)

- 0** Clear PC Cover
- 1** Opal PC Cover



Accessories

Mounting Clip

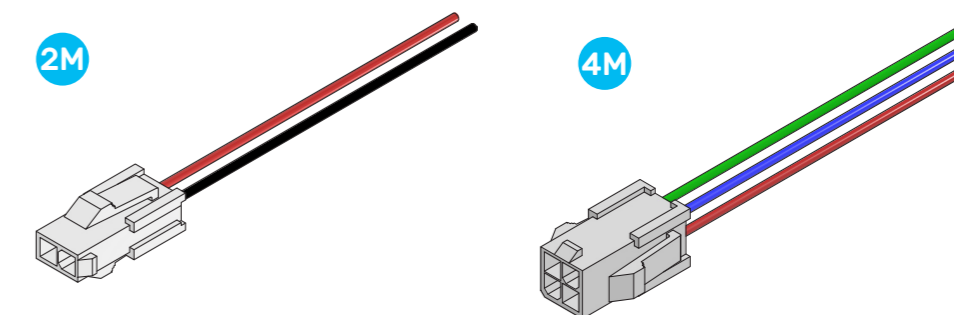


Model	Type
ELED-CSH-CLIP-0	0

Wire Options

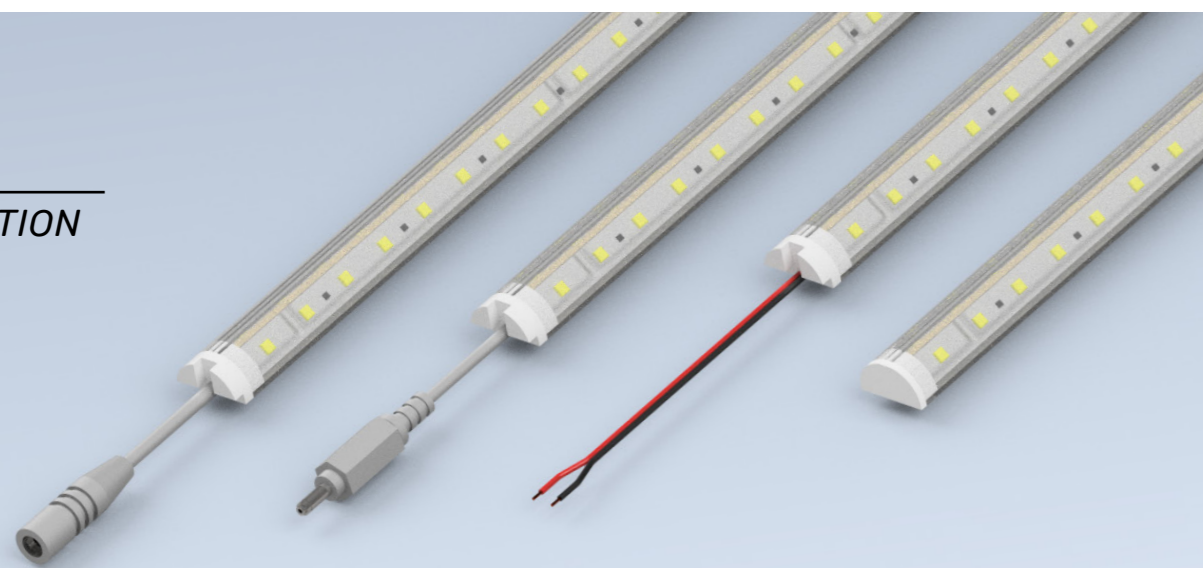
Model	Type	Length "c" (mm)
ELED-CAB-xxx-2M	2M	on request
ELED-CAB-xxx-4M	4M	on request

*custom length on request



Serie I

LIGHTING SOLUTION



24V
DC

120° 120°

IP54

22.5W/m

Product Features

- CRI 80Ra
- Highest quality components 2835 Leds
- Double 120° beam angle
- CCT available 3000 ÷ 6500, PINK, RGB
- 24V DC input voltage
- Up to 1200 lm/m
- Working Temperature: -35°C to 65°C
- Max Power consumption 22.5W/m
- IP Rating: IP54
- Lifetime 50.000h
- Energy labelling available (EPREL)

Customization

- Custom CCT to obtain your cromatic coordinates
- Custom length on request
- CRI 90Ra on request
- Input voltage on request

Material:

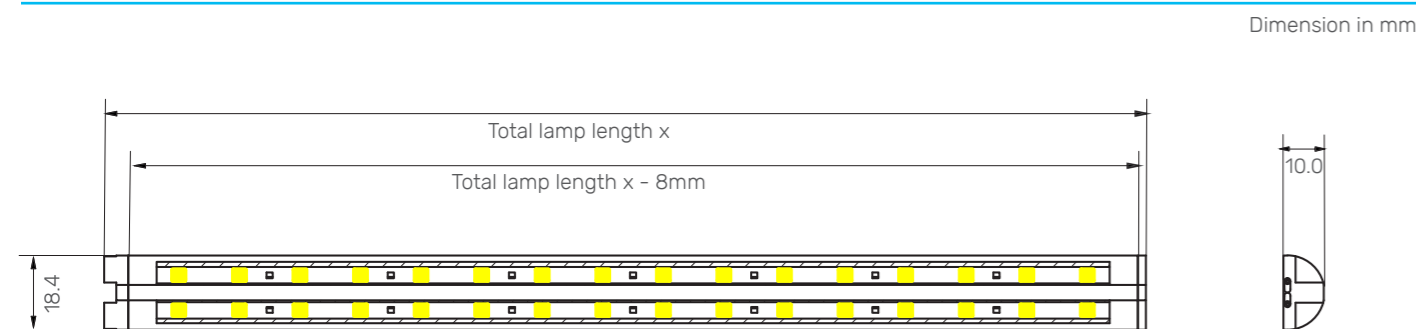
Cover in polycarbonate clear or opal
Grey side closure cap in PA 6

Standard:

EN IEC 62031, EN 62471, IEC/TR 61547-1, EN/IEC 55015, EN/IEC 60598-1, EN/IEC 60335-2-24, EN/IEC 60335-2-89



Dimensions



1. Specifications might change without notice

2. Special design on request

Specifications

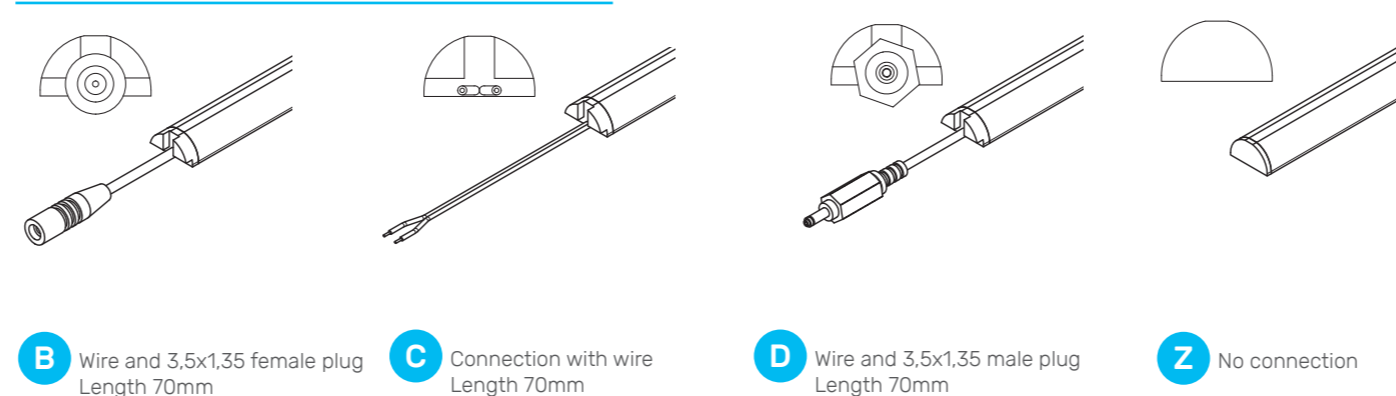
COMBINATION CODE			(1)	(2)	(3)	VALUE					
Model	Length	Led Type	Voltage (V)	CCT* (K)	Connection* R L		Covering Finishing*	Lumen (lm)	Power (W)	n°LED	Length "x" (mm)
ELED-CSI	038	2835	24	3000 ÷ 6500 PINK RGB	B C D	B C D Z	0	390	4	42	380
							1	335			
ELED-CSI	074	2835	24	3000 ÷ 6500 PINK RGB	B C D	B C D Z	0	970	8,4	168	740
							1	840			
ELED-CSI	114	2835	24	3000 ÷ 6500 PINK RGB	B C D	B C D Z	0	1170	12	126	1140
							1	1020			
High Performance Model											
ELED-CHI	038	2835	24	3000 ÷ 6500 PINK RGB	B C D	B C D Z	0	810	9	90	380
							1	708			
ELED-CHI	074	2835	24	3000 ÷ 6500 PINK RGB	B C D	B C D Z	0	1600	17,8	178	740
							1	1400			
ELED-CHI	114	2835	24	3000 ÷ 6500 PINK RGB	B C D	B C D Z	0	2430	27	270	1140
							1	2120			

* choose an option from below

Color Temperature Options (1)



Connection Options (2)



B Wire and 3,5x1,35 female plug
Length 70mm

C Connection with wire
Length 70mm

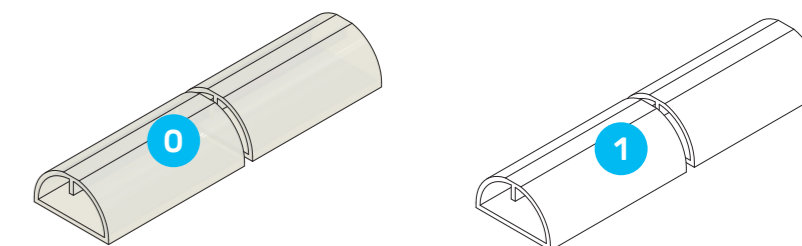
D Wire and 3,5x1,35 male plug
Length 70mm

Z No connection

Cover Finishing (3)

0 Clear PC Cover

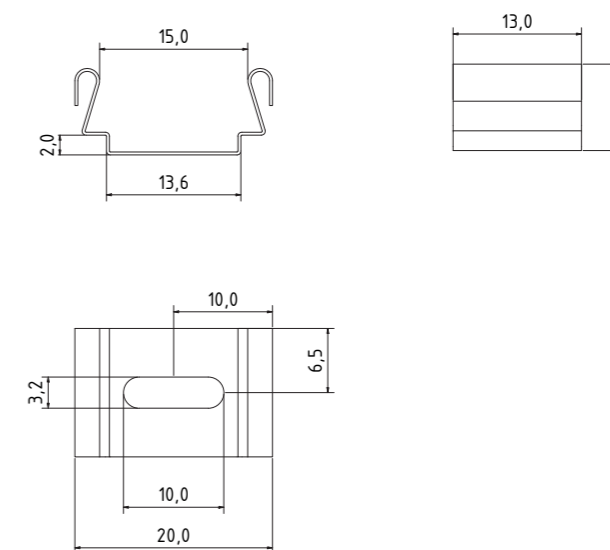
1 Opal PC Cover



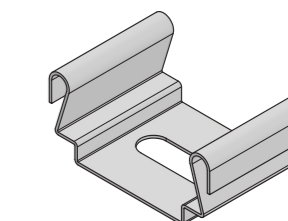
Accessories

Mounting Clip

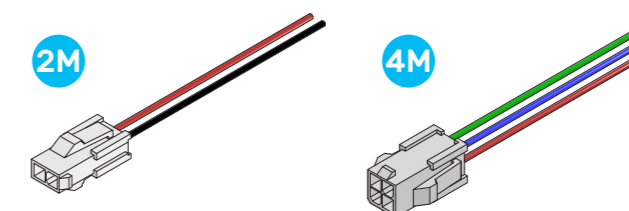
0



Model	Type
ELED-CSI-CLIP-0	0



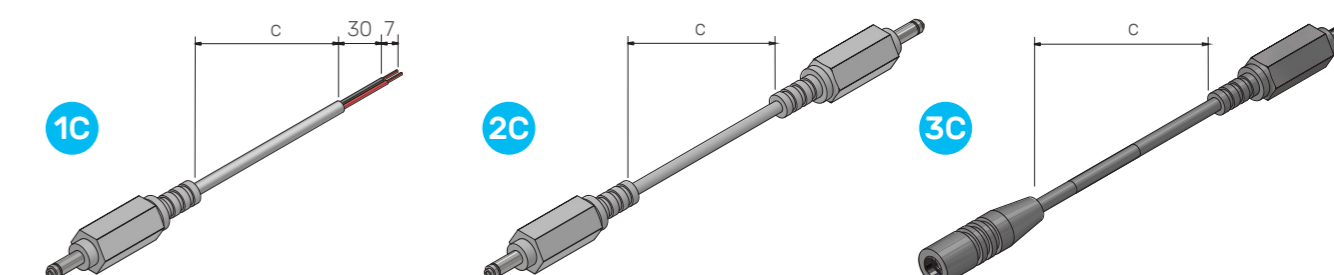
Wire Options



1C

2C

3C



Model	Type	Length "c" (mm)
ELED-CAB-xxx-2M	2M	on request
ELED-CAB-xxx-4M	4M	on request
ELED-CAB-150-1C	1C	1500
ELED-CAB-050-2C	2C	500
ELED-CAB-050-3C	3C	500

*custom length on request

Serie R

LIGHTING SOLUTION



12V
DC

170°

IP54

2w

Product Features

- CRI 80Ra
- Highest quality components SYD9 Led
- 170° beam angle
- CCT available 6000 ÷ 6500.
- 12V DC input voltage
- Up to 150 lm
- Working Temperature: -10°C to 55°C
- Max Power consumption 2W
- IP Rating: IP54
- Lifetime 30.000h
- Energy labelling available (EPREL)

Customization

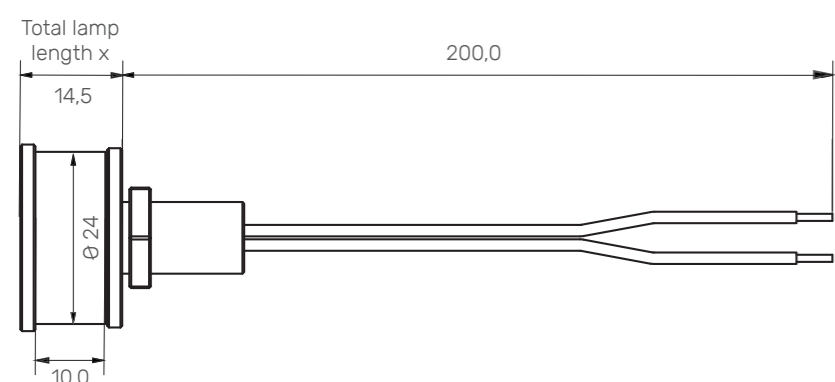
- Custom CCT to obtain your chromatic coordinates changing LED Type
- Custom diameter on request
- CRI 90Ra on request
- Input voltage on request

Material:
Lens in polycarbonate clear or opal
Profile in aluminium

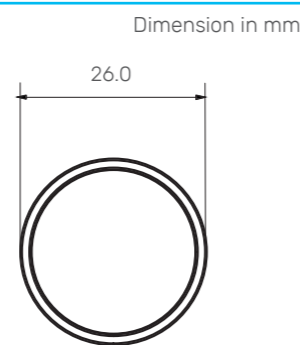
Standard:
EN IEC 62031, EN 62471, IEC/TR 61547-1, EN/IEC 55015,
EN/IEC 60598-1, EN/IEC 60335-2-24, EN/IEC 60335-2-89



Dimensions



1. Specifications might change without notice



2. Special design on request

Specifications

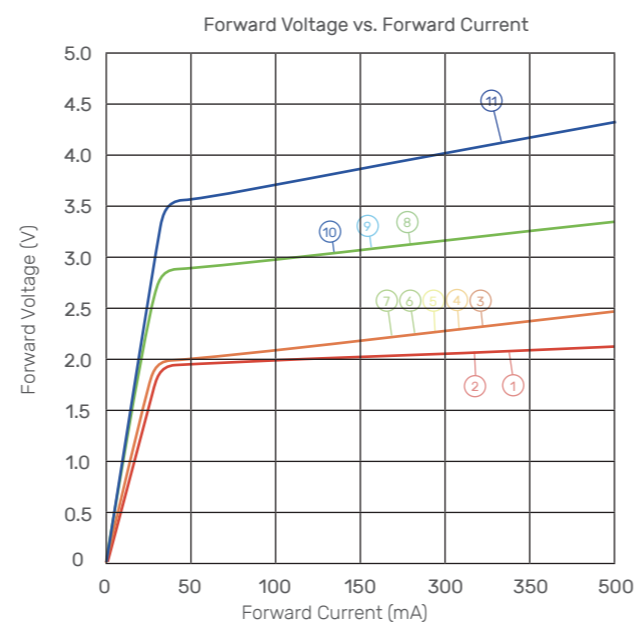
COMBINATION CODE			(1)	(2)	(3)	VALUE**					
Model	Diameter	Led Type	Voltage (V)	CCT* (K)	Connection* R L		Covering Finishing*	Lumen (lm)	Power (W)	n°LED	Length "x" (mm)
ELED-CSR	26	SYD9	12	6000 ÷ 6500	Z	C	0 1	150	2	1	14,5

* choose an option from below ** CCT reference value 6000K

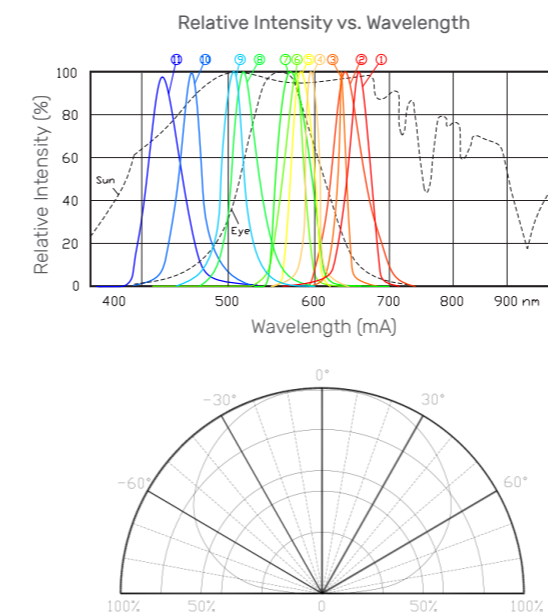
Color Temperature Options (1)

6000 + 6500 Custom

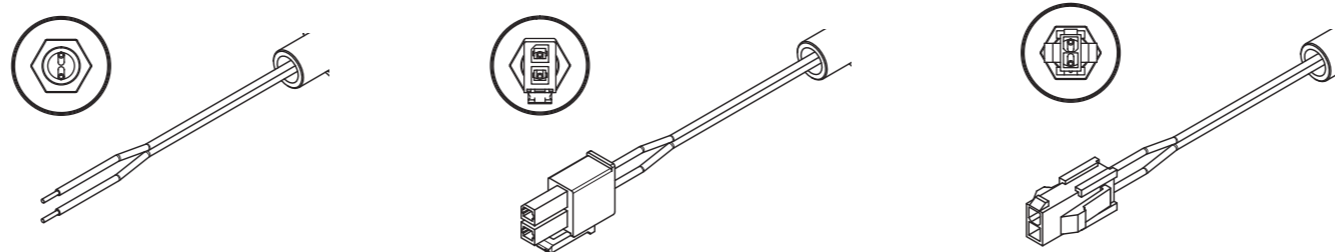
SYD9 Single LED package



- ① 660nm GaAlAs
- ② 640nm AlGaInP
- ③ 620nm AlGaInP
- ④ 595nm AlGaInP
- ⑤ 586nm GaAsP
- ⑥ 575nm AlGaInP
- ⑦ 565nm GaP
- ⑧ 525nm InGaN
- ⑨ 505nm InGaN
- ⑩ 460nm InGaN
- ⑪ 430nm GaN/Sic



Connection Options (2)

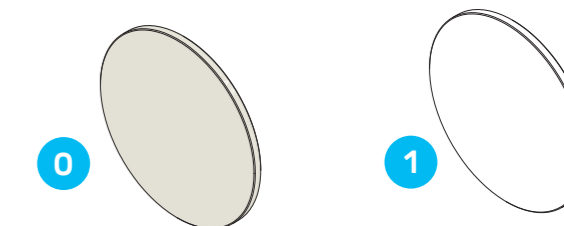


C Connection with wire Length 200mm

Cover Finishing (3)

0 Clear PC Cover

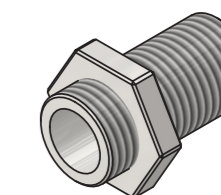
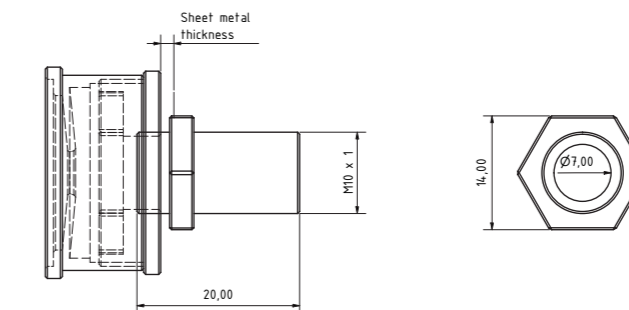
1 Opal PC Cover



Accessories

Mounting Clip

R

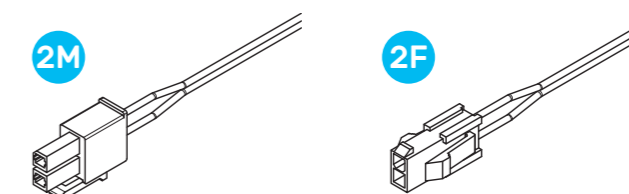


Model	Type
ELED-CSI-CLIP-R	R

Wire Options

2M

2F



Model	Type	Length "c" (mm)
ELED-CAB-xxx-2M	2M	on request
ELED-CAB-xxx-2F	2F	on request

*custom length on request

Serie W

LIGHTING SOLUTION



Product Features

- CRI 70Ra
- Highest quality components 3535 Led
- 120° beam angle
- CCT available 3000 ÷ 6500
- 3V DC input voltage
- Up to 160 lm
- Working Temperature: -40°C to 50°C
- Max Power consumption 1W
- IP Rating: IP44
- Lifetime 30.000h
- Energy labelling available (EPREL)

Customization

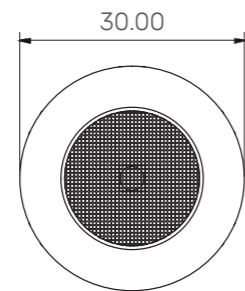
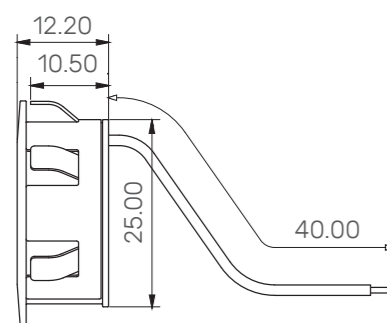
- Custom CCT to obtain your cromatic coordinates
- Custom diameter on request
- CRI 90Ra on request
- Input voltage on request

Material:
Lens in polycarbonate clear or opal
Profile in aluminium

Standard:
EN IEC 62031, EN 62471, IEC/TR 61547-1, EN/IEC 55015,
EN/IEC 60598-1, EN/IEC 60335-2-24, EN/IEC 60335-2-89



Dimensions



Dimension in mm

1. Specifications might change without notice

2. Special design on request

Specifications

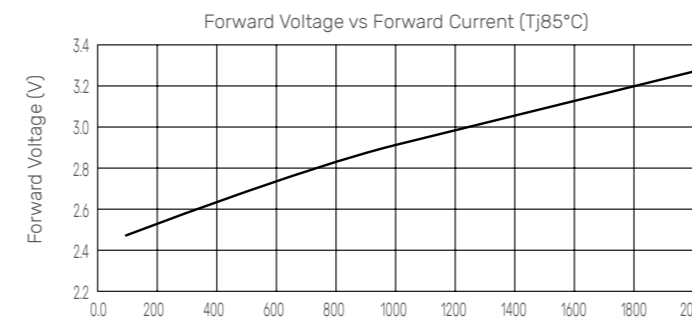
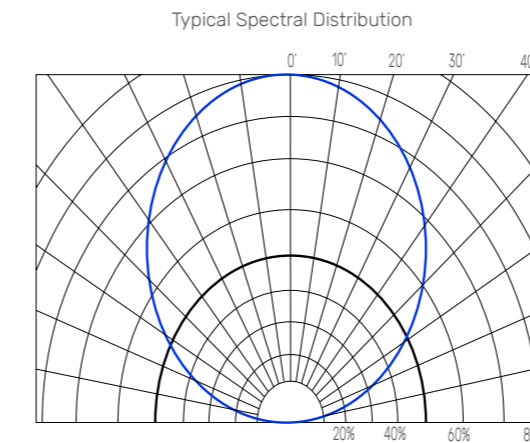
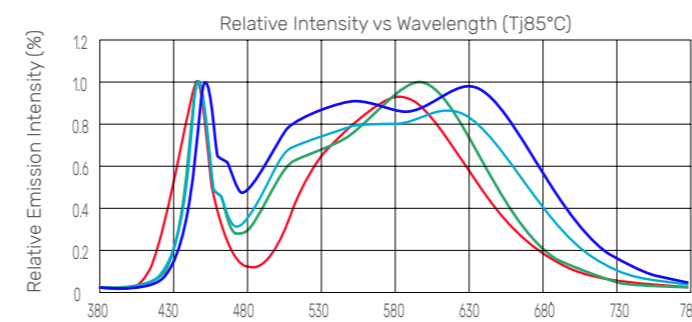
COMBINATION CODE			(1)	(2)	(3)	VALUE**					
Model	Diameter	Led Type	Voltage (V)	CCT* (K)	Connection*		Covering Finishing*	Lumen (lm)	Power (W)	n°LED	Length "x" (mm)
ELED-CSW	30	3535	3	3000 ÷ 6500	Z	C	0	165	1	1	12,20
							1				

* choose an option from below ** CCT reference value 6000K

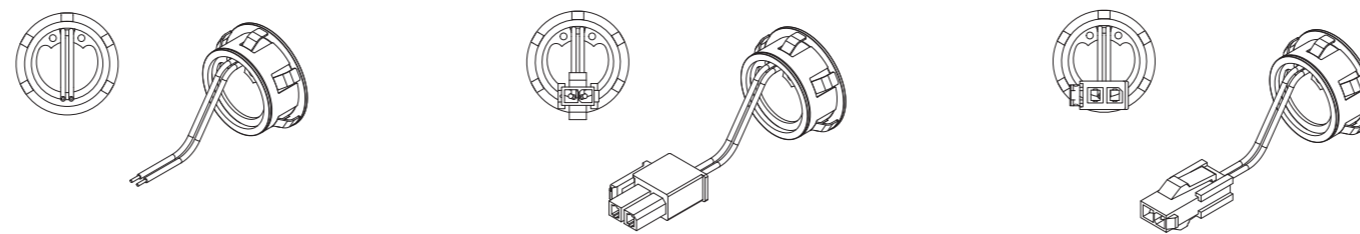
Color Temperature Options (1)



3535 Single LED package



Connection Options (2)

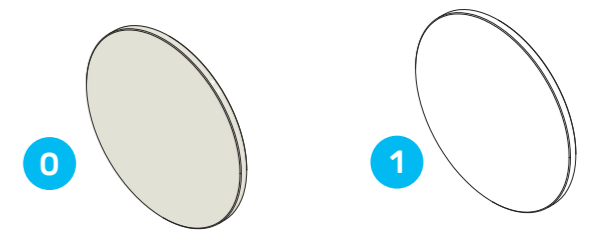


C Connection with wire
Length 200mm

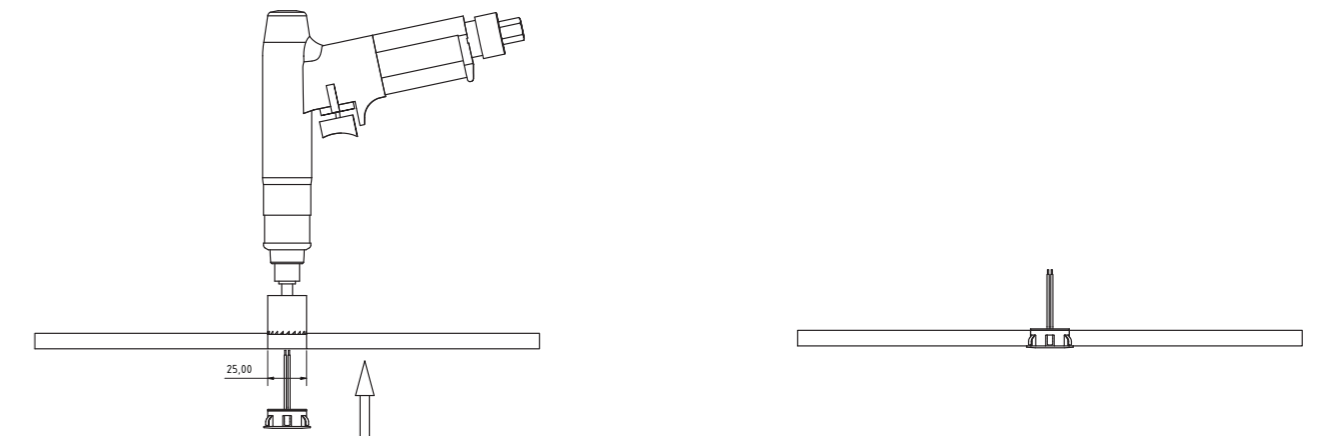
Cover Finishing (3)

0 Clear PC Cover

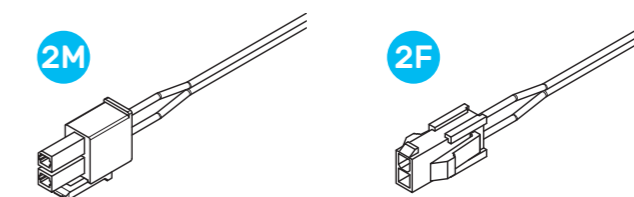
1 Opal PC Cover



Mounting instructions



Wire Options



Model	Type	Length "c" (mm)
ELED-CAB-xxx-2M	2M	on request
ELED-CAB-xxx-2F	2F	on request

*custom length on request

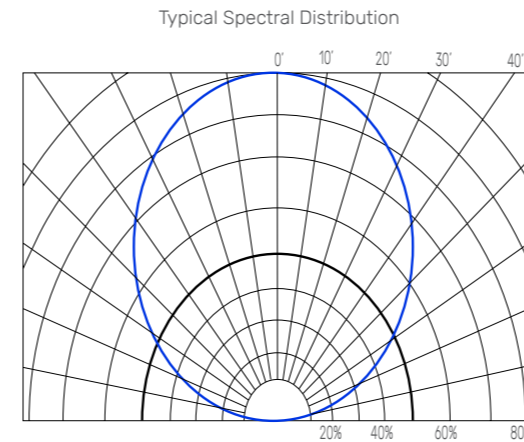
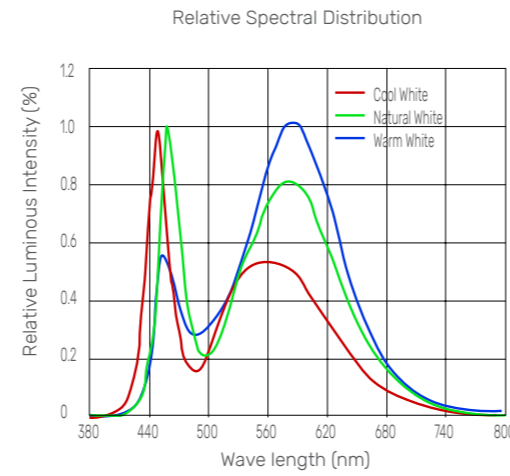
CODIFICAZIONE

LIGHTING SOLUTION

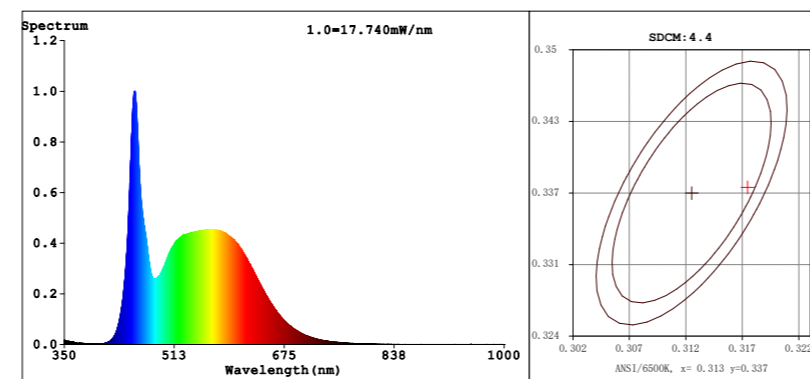
ELED-C	S	A	060	2835	24	3000K	A	A	0
Model	Serie	Length	Led type	Voltage	CCT	Connections Right	Connections Left	Covering finishing	
S = standard 80 CRI H = High Performance 80CRI N = standard 90 CRI P = High Performance 90CRI	A = 14 X 11,7mm B = 18,5 X 11,4 mm C = 11 X 7 mm D = 12 X 7 mm E = 14 X 7 mm F = Ø 18 mm G = 17,3 x 7 mm H = 7 X 5 mm I = 18,4 X 10 mm R = Ø 26 mm W = Ø 30 mm	060 = 600mm 090 = 900 mm 120 = 1200 mm 150 = 1500 mm 026 = Ø 26 mm 030 = Ø 26 mm for other length see each serie	Type of LED Chips 2835 3535 SYD9 Custom on request	03 = 3V DC 12 = 12V DC 24 = 24V DC Custom on request	3000K 4000K 6000K 6500K PINK RGB Custom	A = Connector B = Wire with connector female C = Wire D = Wire with connector male Z = No connection Custom on request		0 = Clear 1 = Opal	

Optical Characteristics

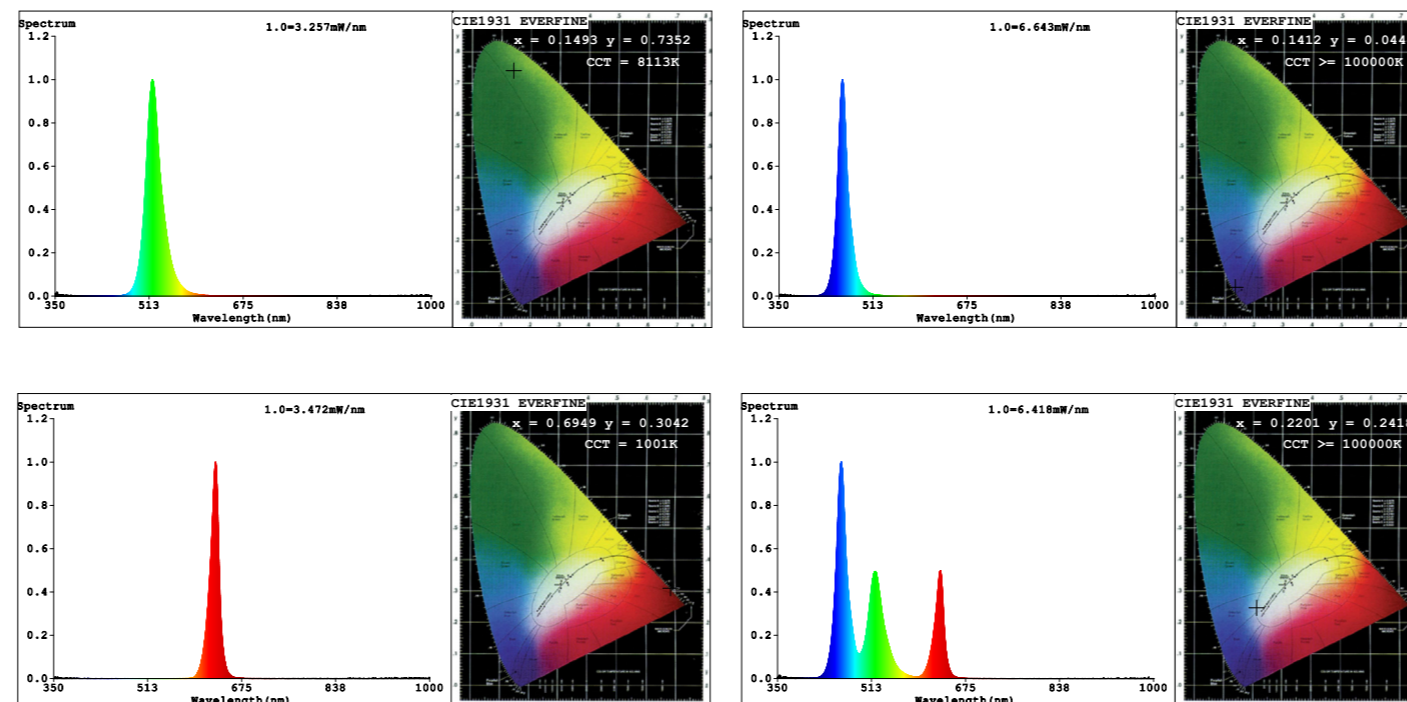
2835 Single LED package



White Spectrum test Report

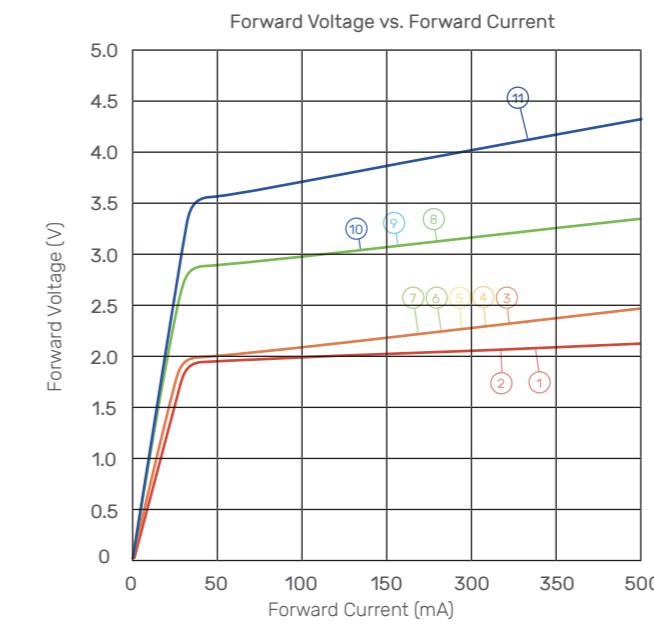


RGB Spectrum test Report

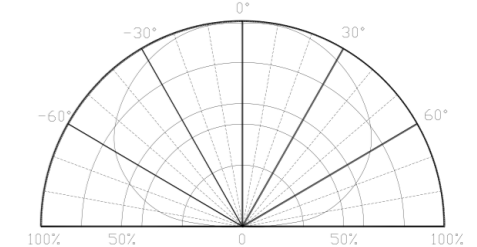
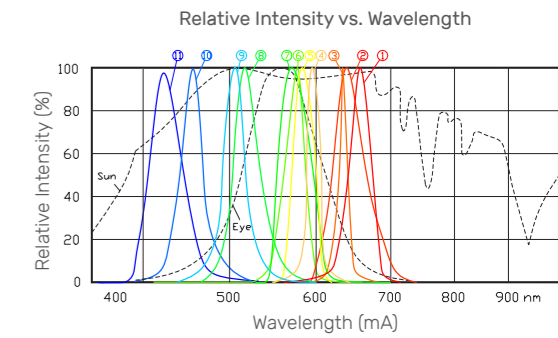


Optical Characteristics

SYD9 Single LED package

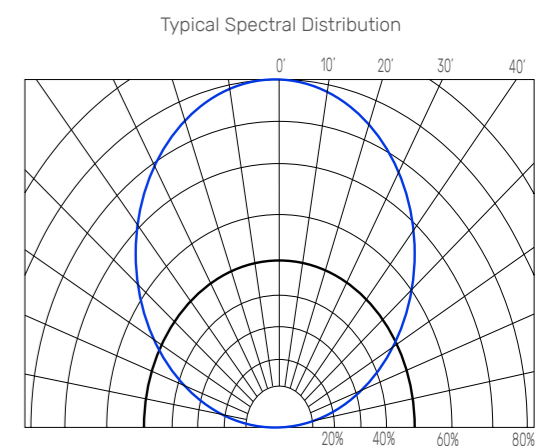
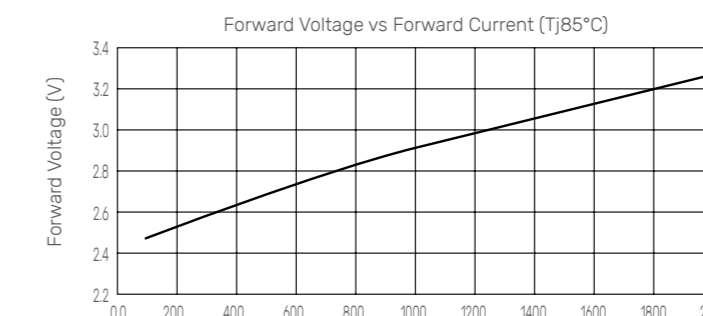
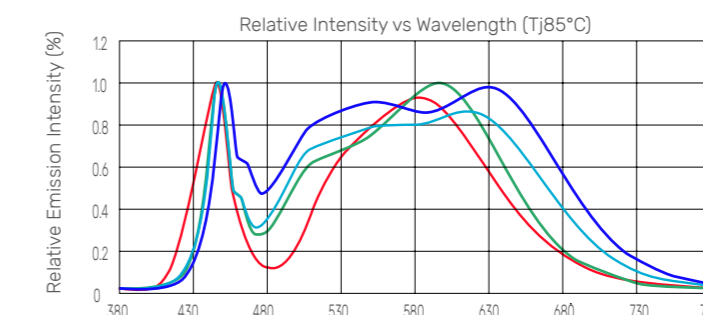


- ① 660nm GaAlAs
- ② 640nm AlGaInP
- ③ 620nm AlGaInP
- ④ 595nm AlGaInP
- ⑤ 586nm GaAsP
- ⑥ 575nm AlGaInP
- ⑦ 565nm GaP
- ⑧ 525nm InGaN
- ⑨ 505nm InGaN
- ⑩ 460nm InGaN
- ⑪ 430nm GaN/Sic



Optical Characteristics

3535 Single LED package





HEADQUARTER

Comestero Sistemi S.r.l.
Via Bolzano, 1/E
20871 Vimercate (MB) Italy
Tel +39.039625091
Fax +39.039667479
info@comestero.com

comestero.com

BRANCH OFFICE

Comestero Sistemi S.r.l.
Via Valsugana, 88
36022 Cassola (VI) Italy
Tel +39.04241700126
Fax +39.04241700129
info@comestero.com

comestero.com



Tel +39.0396250932
info@comestero.shop

comestero.shop



Phi Drive S.r.l.
Via Roberto Ruffilli 8/10
20042 Pessano Con Bornago (MI) Italy
Tel +39.0396250971
sales@phidrive.eu

phidrive.eu



Penta Group S.r.l.
Via Ciucani 17
20876 Ornago (MB) Italy
Tel +39.0396612820
Fax +39 039.6880435
info@pentagroupsrl.it

pentagroupsrl.it